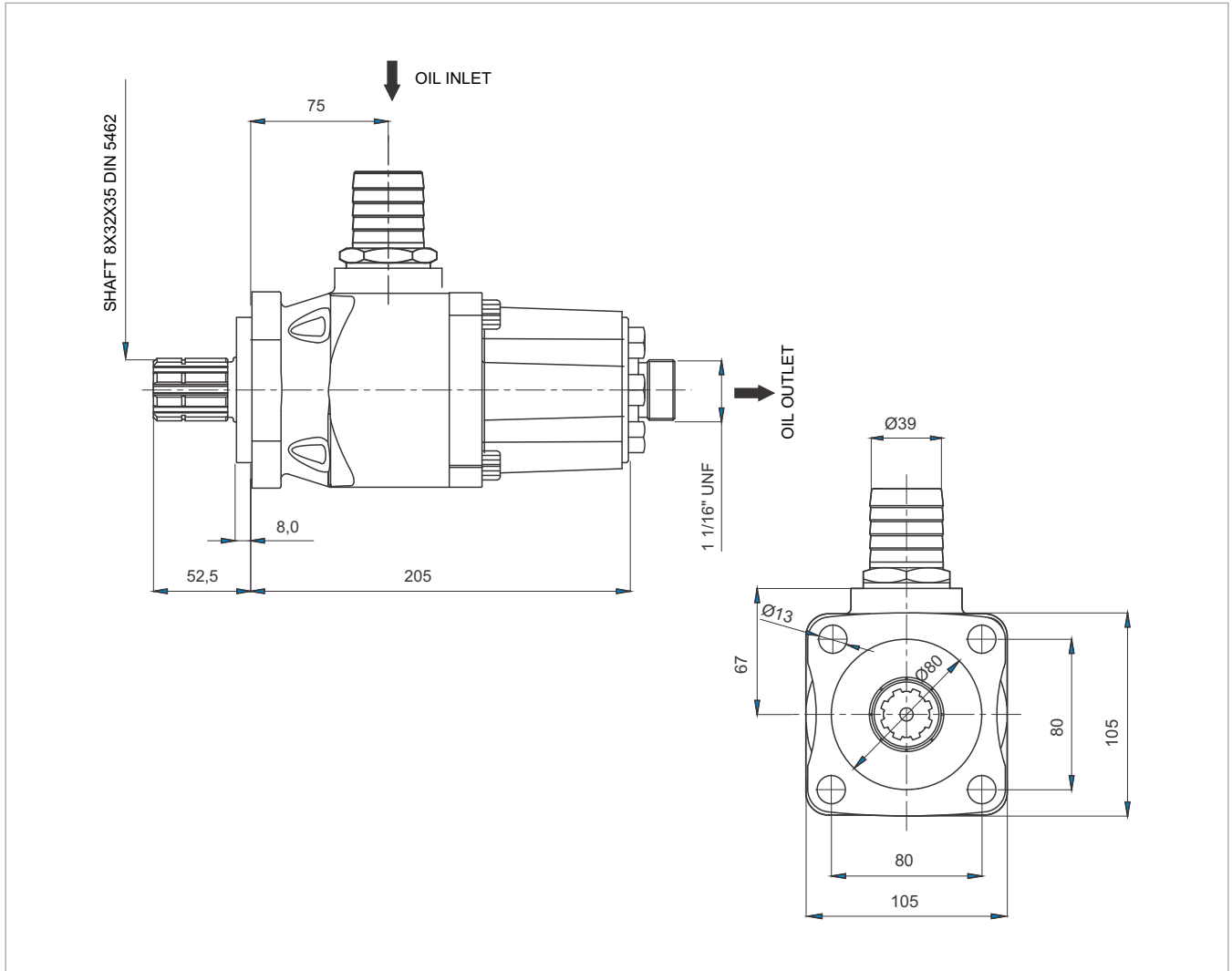
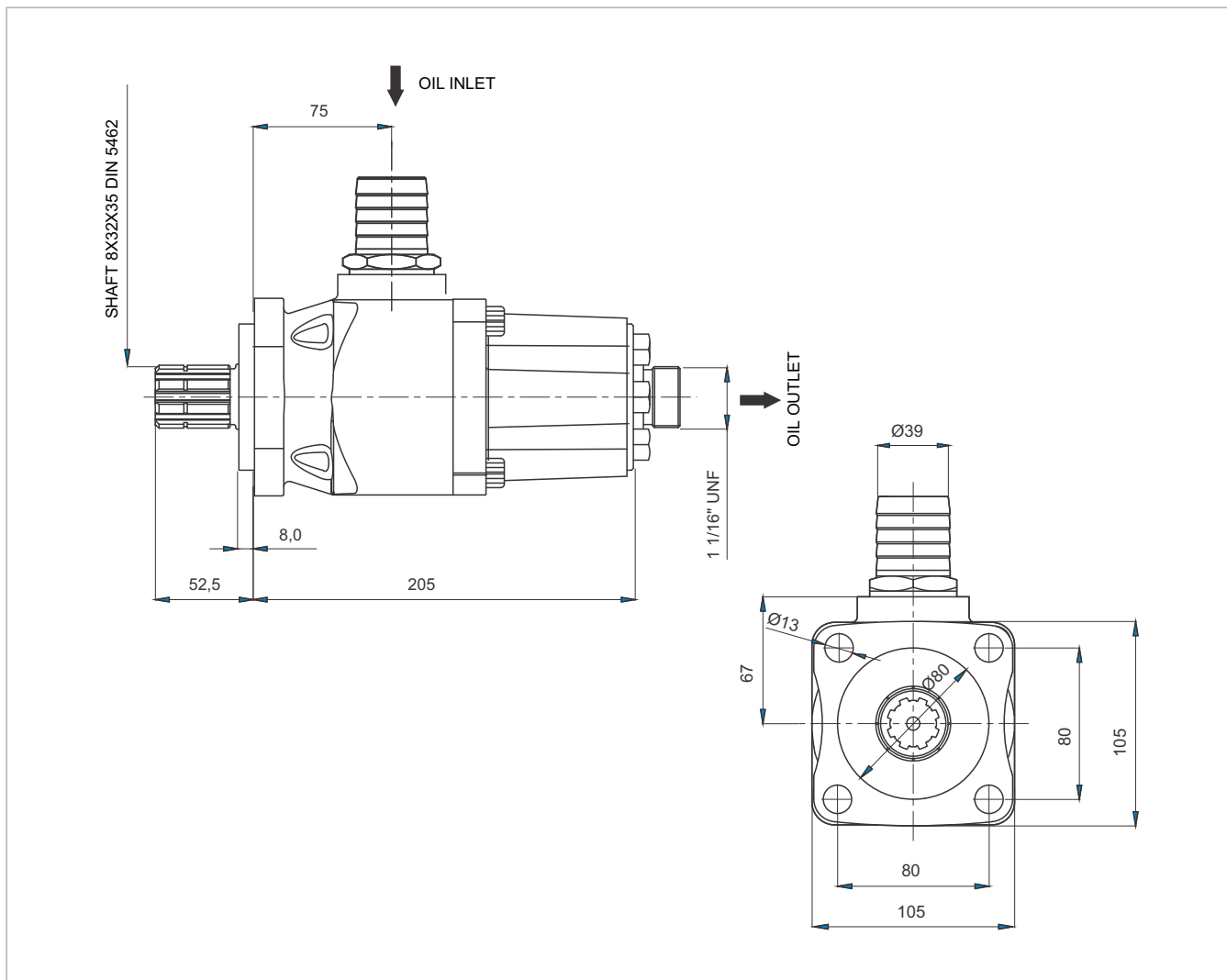


45 cc

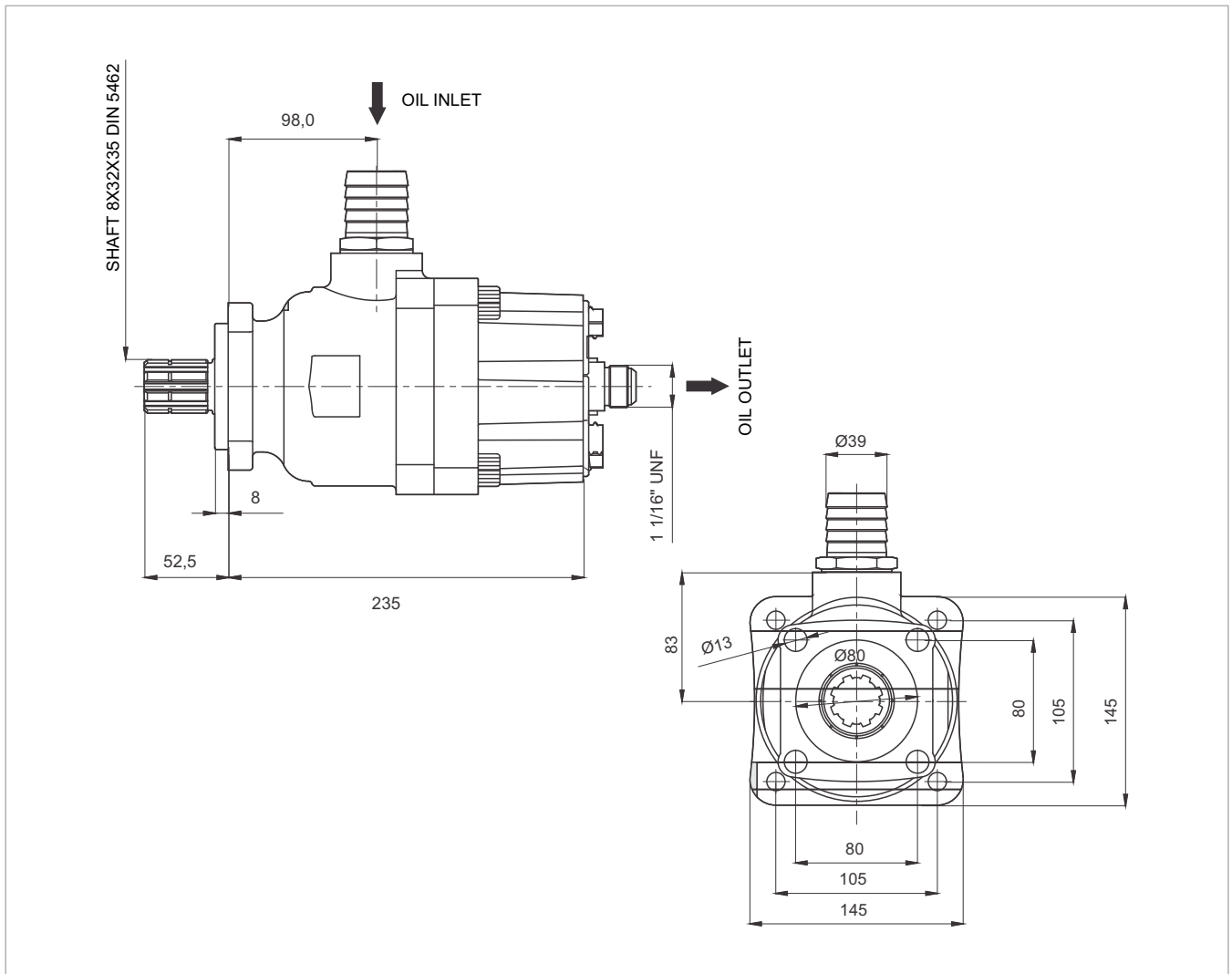


x 1000 rpm	46,70 cc
x 1500 rpm	70,05 cc
Max. Continuous Pump Speed	1800 rpm
Max. Limited Pump Speed	2400 rpm
Max. Continuous Pressure	330 bar
Max. Intermittent Pressure	360 bar
Max. Peak Pressure	500 bar
Weight without inlet fitting	14,70 kg
Weight with inlet fitting	15,10 kg
Rotation	Bi-Directional
Fluid	Min.B.Hyd.Oil
Inlet	R1 ¼"
Outlet	1 1/16 UNF

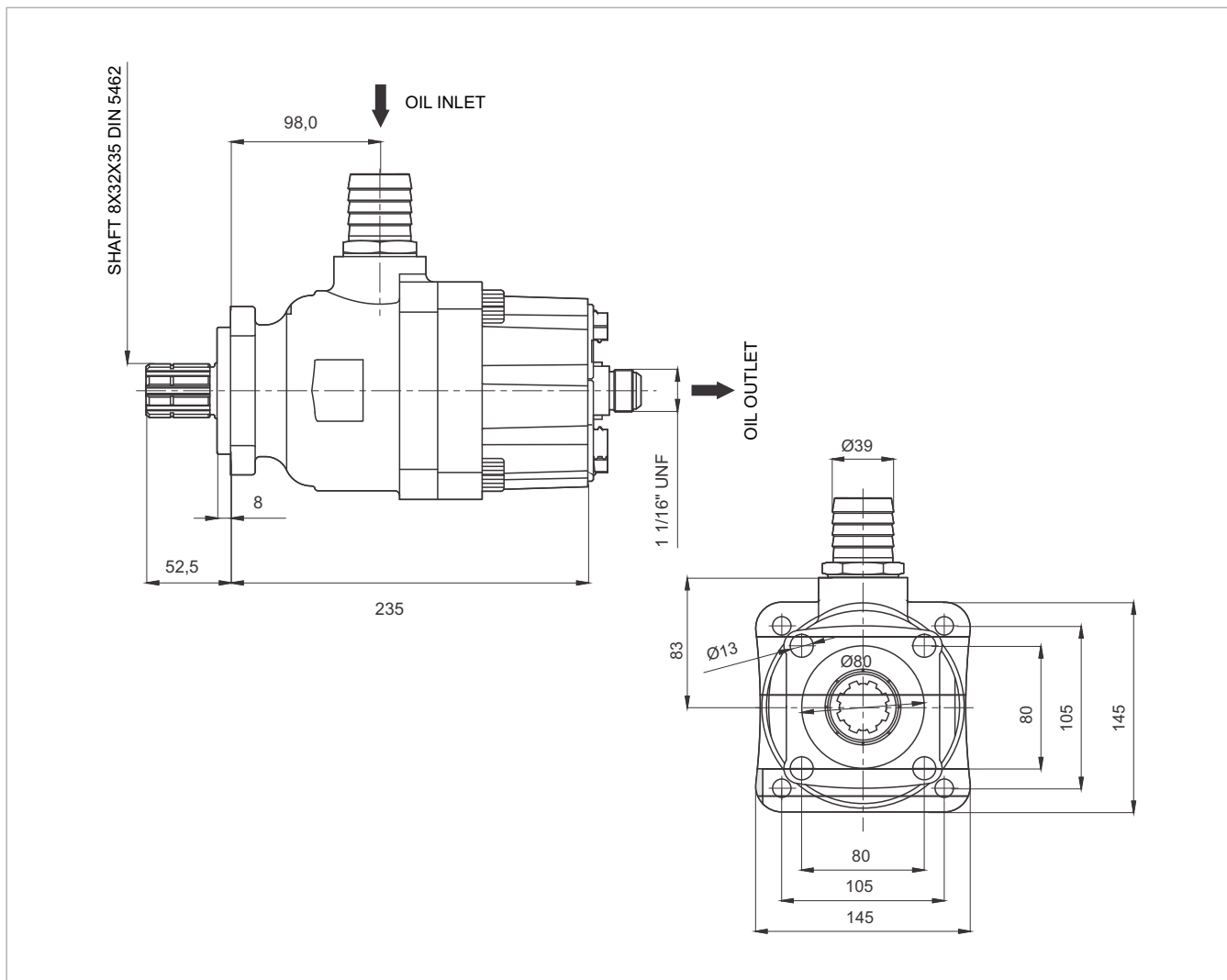
55 cc



x 1000 rpm	54,60 cc
x 1500 rpm	81,90 cc
Max. Continuous Pump Speed	1800 rpm
Max. Limited Pump Speed	2400 rpm
Max. Continuous Pressure	330 bar
Max. Intermittent Pressure	360 bar
Max. Peak Pressure	500 bar
Weight without inlet fitting	15,00 kg
Weight with inlet fitting	15,40 kg
Rotation	Bi-Directional
Fluid	Min.B.Hyd.Oil
Inlet	R1 ¼"
Outlet	1 1/16 UNF



x 1000 rpm	84,50 cc
x 1500 rpm	126,7 cc
Max. Continuous Pump Speed	1500 rpm
Max. Limited Pump Speed	2000 rpm
Max. Continuous Pressure	300 bar
Max. Intermittent Pressure	350 bar
Max. Peak Pressure	450 bar
Weight without inlet fitting	19,50 kg
Weight with inlet fitting	19,90 kg
Rotation	Bi-Directional
Fluid	Min.B.Hyd.Oil
Inlet	R1 1/4"
Outlet	R 1"



x 1000 rpm	92,20 cc
x 1500 rpm	138,3 cc
Max. Continuous Pump Speed	1500 rpm
Max. Limited Pump Speed	2000 rpm
Max. Continuous Pressure	300 bar
Max. Intermittent Pressure	350 bar
Max. Peak Pressure	450 bar
Weight without inlet fitting	19,70 kg
Weight with inlet fitting	21,10 kg
Rotation	Bi-Directional
Fluid	Min.B.Hyd.Oil
Inlet	R1 1/4"
Outlet	R 1"