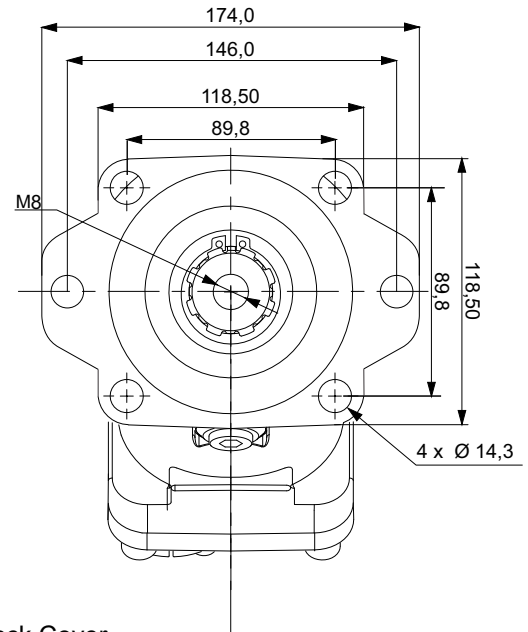
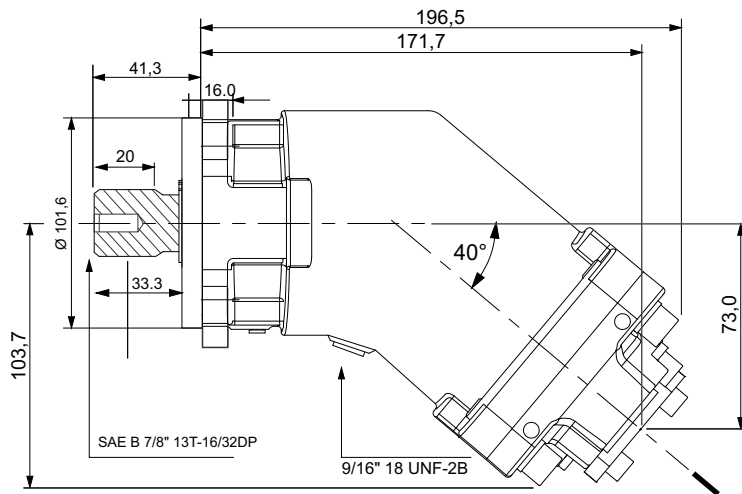
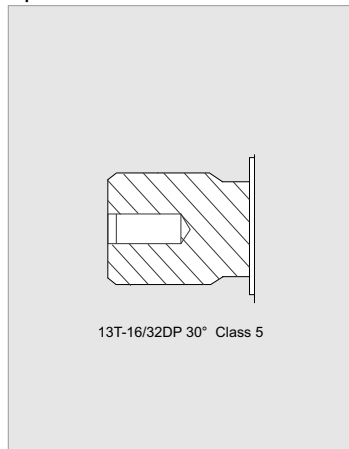


SAE B 7/8" 13T-16/32DP

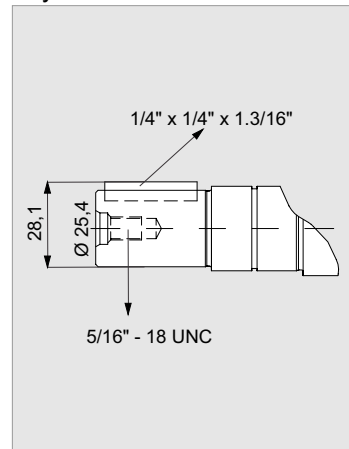
SAE B2 & B4 BOLT MOUNTING (SAE J744)



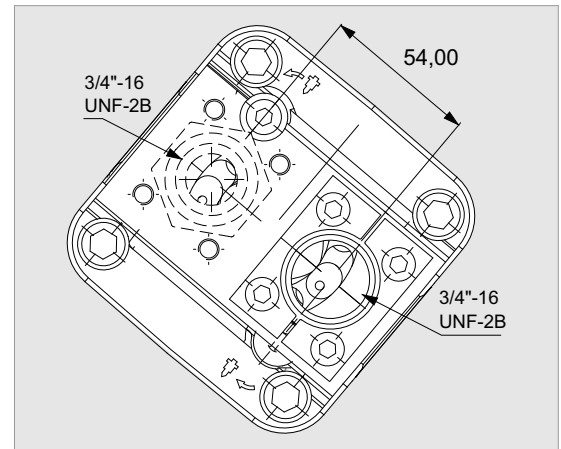
Spline Shaft



Keyed Shaft

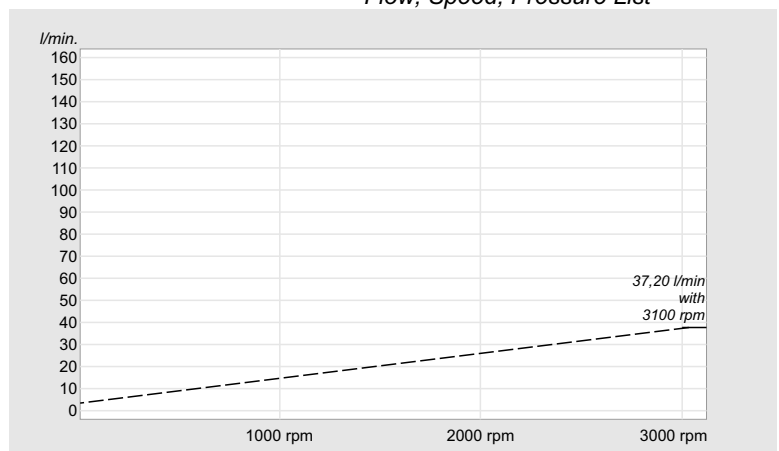


Back Cover



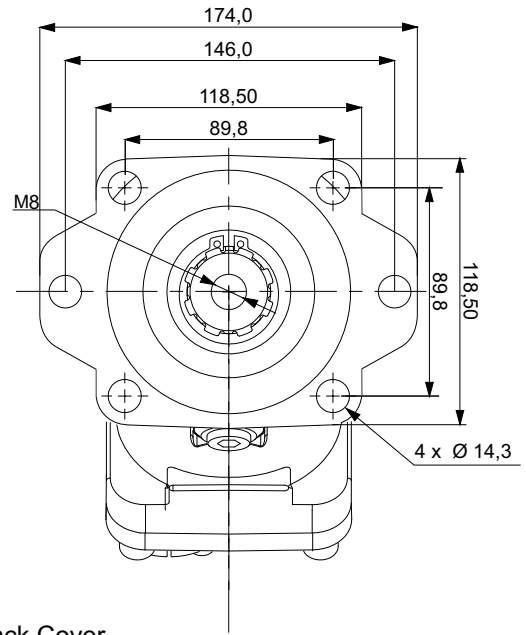
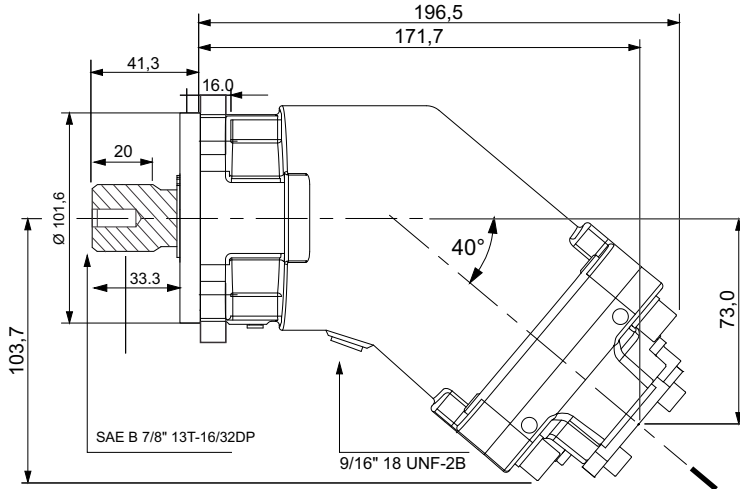
Flow, Speed, Pressure List

x 1000 rpm	12,00 cc
x 1500 rpm	18,00 cc
Max. Continuous Pump Speed	2300 rpm
Max. Limited Pump Speed	3100 rpm
Max. Continuous Pressure	350 bar
Max. Intermit. Peak Pressure	400 bar
Max. Torque at 350 bar	71 Nm
Weight without inlet fitting	10,00 kg
Weight with inlet fitting	10,40 kg
Rotation	CW-CCW

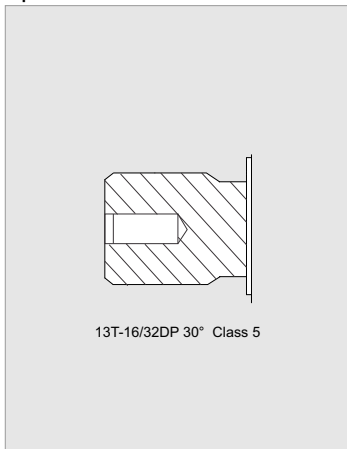


SAE B 7/8" 13T-16/32DP

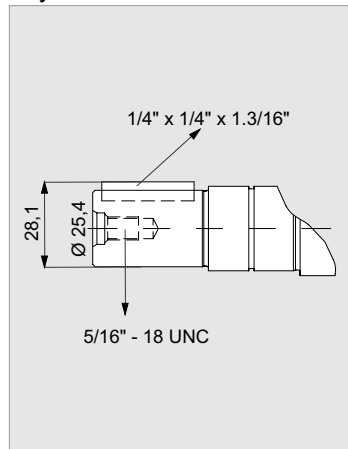
SAE B2 & B4 BOLT MOUNTING (SAE J744)



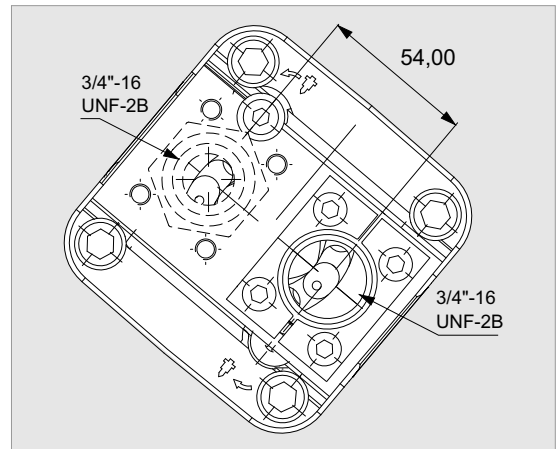
Spline Shaft



Keyed Shaft

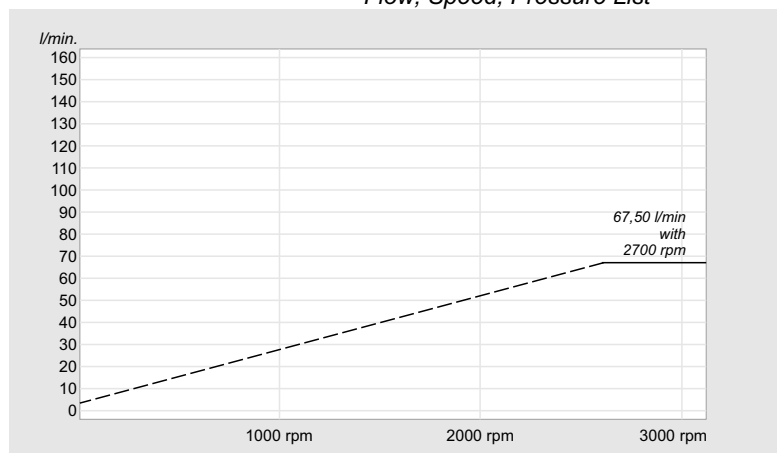


Back Cover



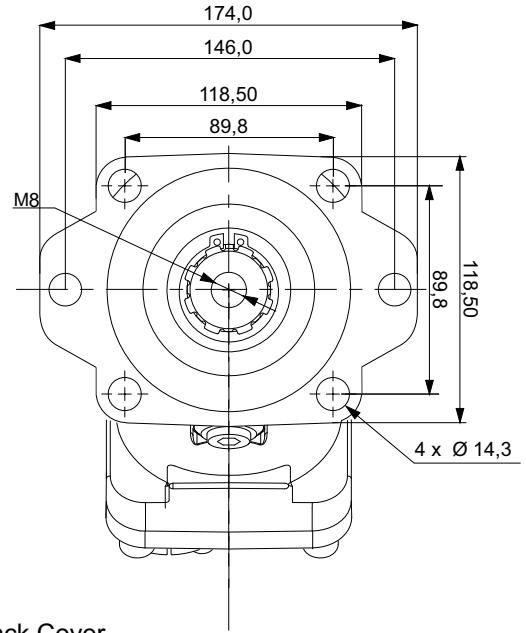
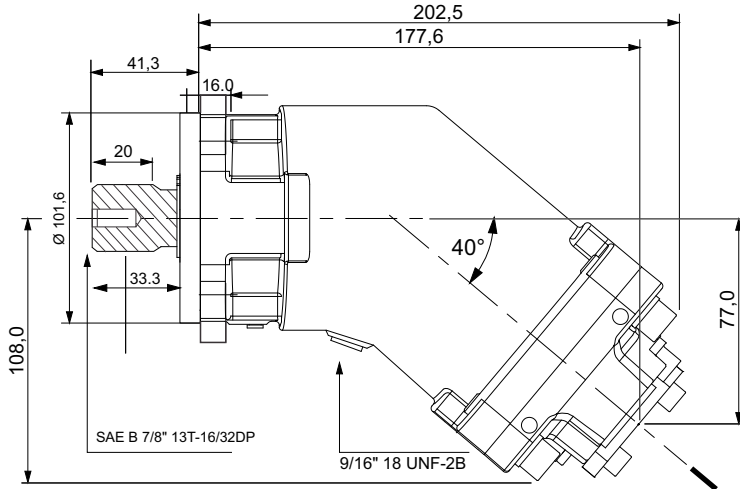
Flow, Speed, Pressure List

x 1000 rpm	25,00 cc
x 1500 rpm	37,50 cc
Max. Continuous Pump Speed	2300 rpm
Max. Limited Pump Speed	2700 rpm
Max. Continuous Pressure	350 bar
Max. Intermit. Peak Pressure	400 bar
Max. Torque at 350 bar	146 Nm
Weight without inlet fitting	10,50 kg
Weight with inlet fitting	10,90 kg
Rotation	CW-CCW

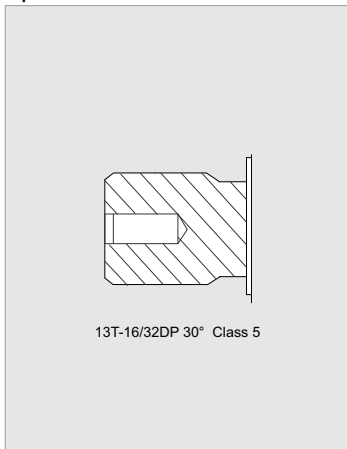


SAE B 7/8" 13T-16/32DP

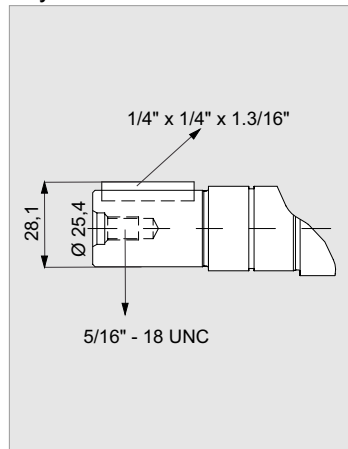
SAE B2 & B4 BOLT MOUNTING (SAE J744)



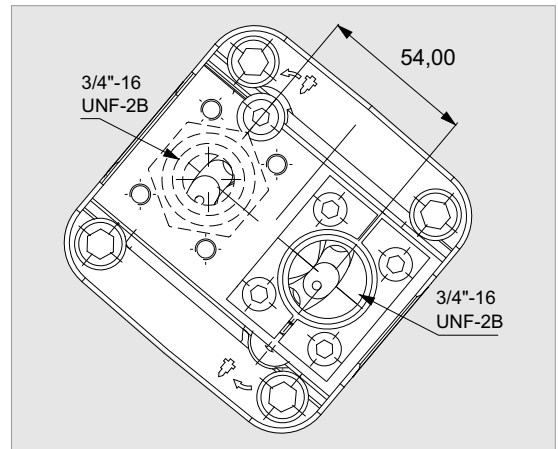
Spline Shaft



Keyed Shaft

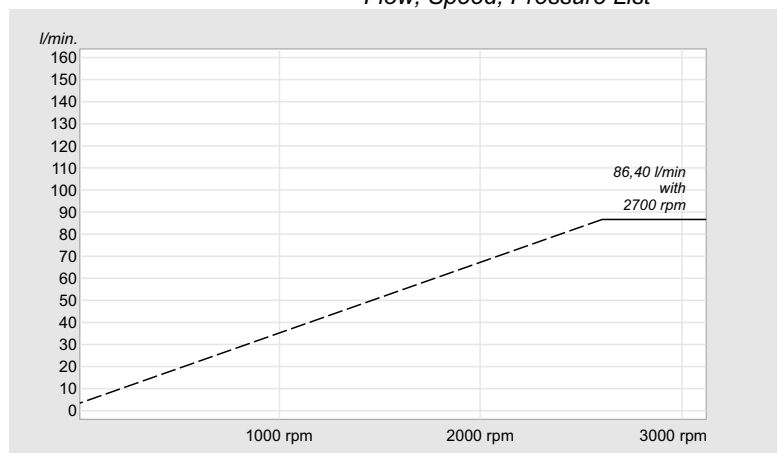


Back Cover



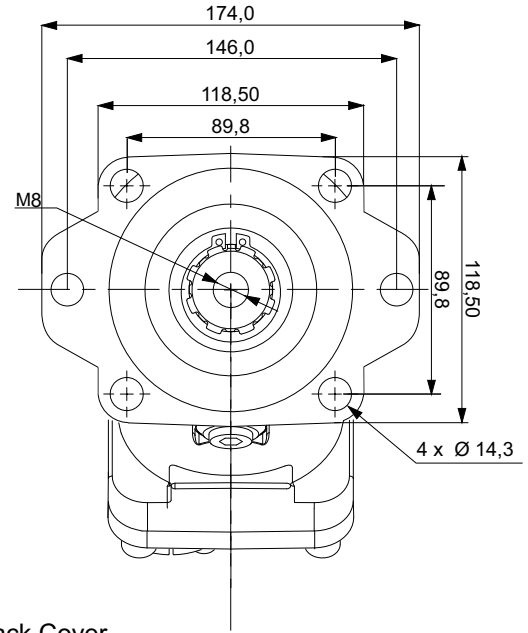
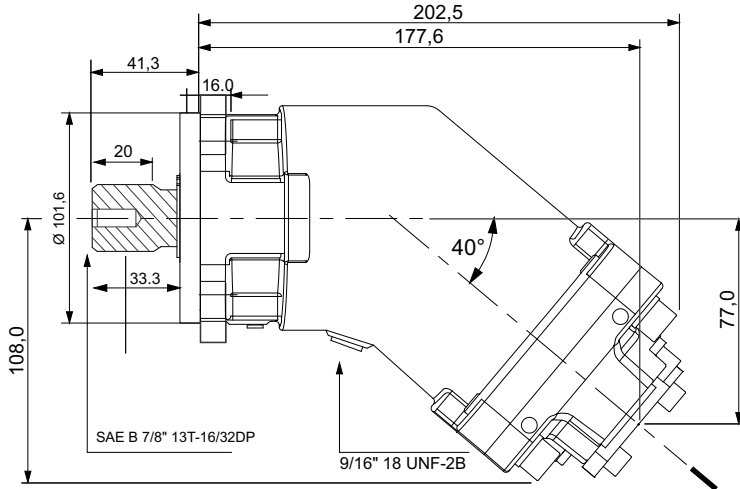
Flow, Speed, Pressure List

x 1000 rpm	32,00 cc
x 1500 rpm	48,00 cc
Max. Continuous Pump Speed	2250 rpm
Max. Limited Pump Speed	2700 rpm
Max. Continuous Pressure	350 bar
Max. Intermit. Peak Pressure	400 bar
Max. Torque at 350 bar	190 Nm
Weight without inlet fitting	11,50 kg
Weight with inlet fitting	11,90 kg
Rotation	CW-CCW

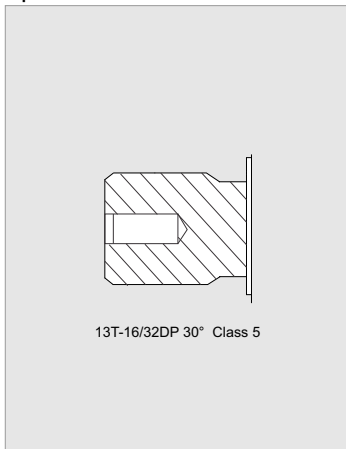


SAE B 7/8" 13T-16/32DP

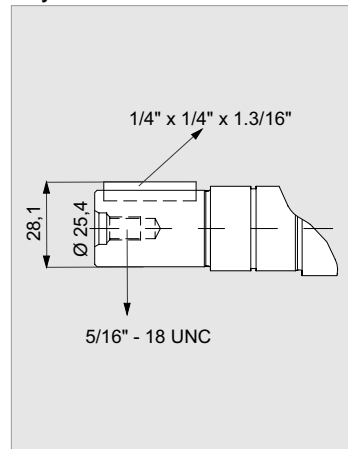
SAE B2 & B4 BOLT MOUNTING (SAE J744)



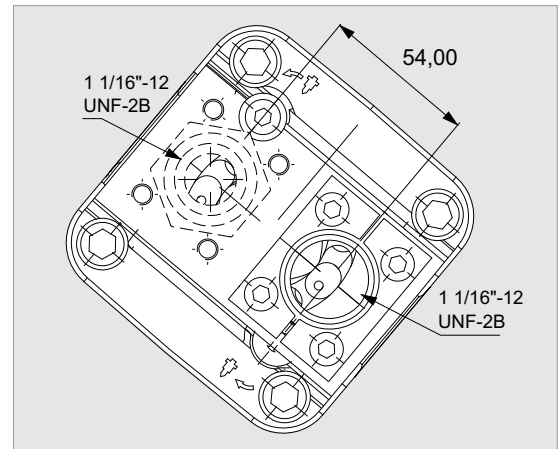
Spline Shaft



Keyed Shaft

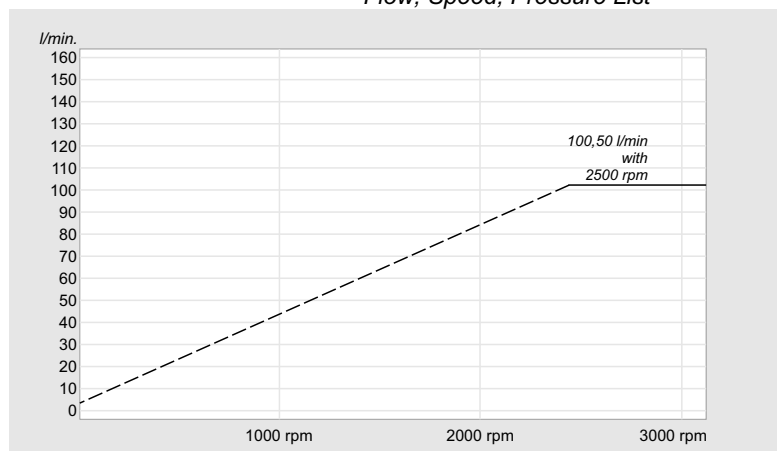


Back Cover



Flow, Speed, Pressure List

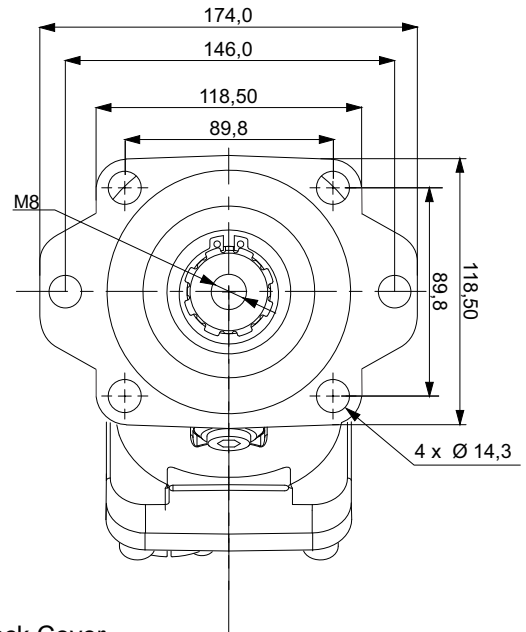
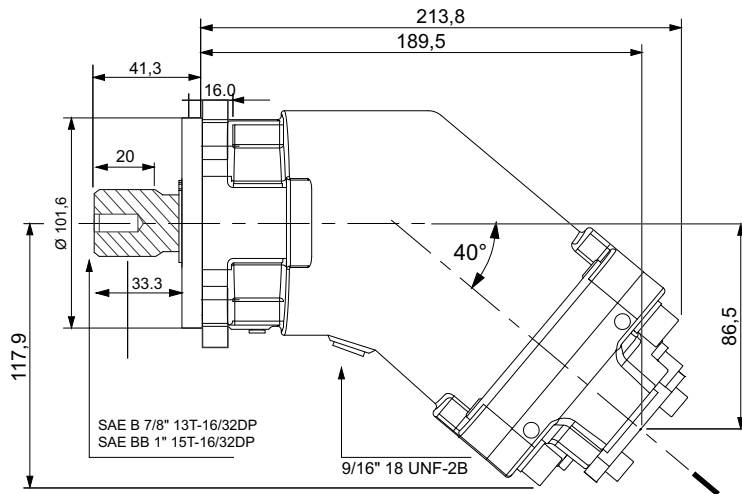
x 1000 rpm	40,20 cc
x 1500 rpm	60,30 cc
Max. Continuous Pump Speed	1900 rpm
Max. Limited Pump Speed	2500 rpm
Max. Continuous Pressure	350 bar
Max. Intermit. Peak Pressure	400 bar
Max. Torque at 350 bar	240 Nm
Weight without inlet fitting	11,50 kg
Weight with inlet fitting	11,90 kg
Rotation	CW-CCW



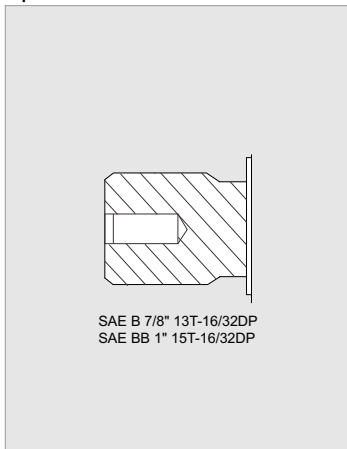
50 cc

SAE B 7/8" 13T-16/32DP
SAE BB 1" 15T-16/32DP

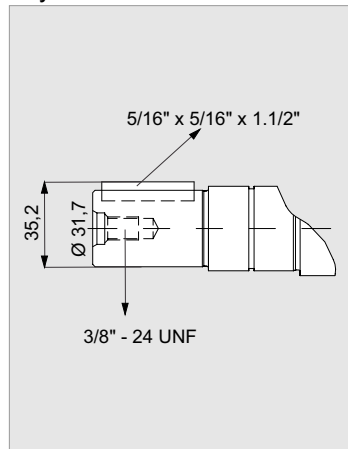
SAE B2 & B4 BOLT MOUNTING (SAE J744)



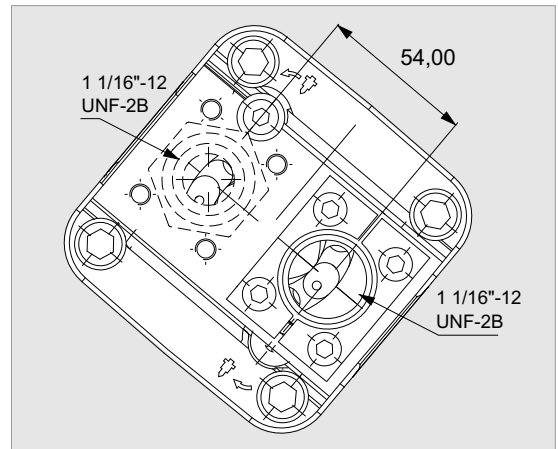
Spline Shaft



Keyed Shaft

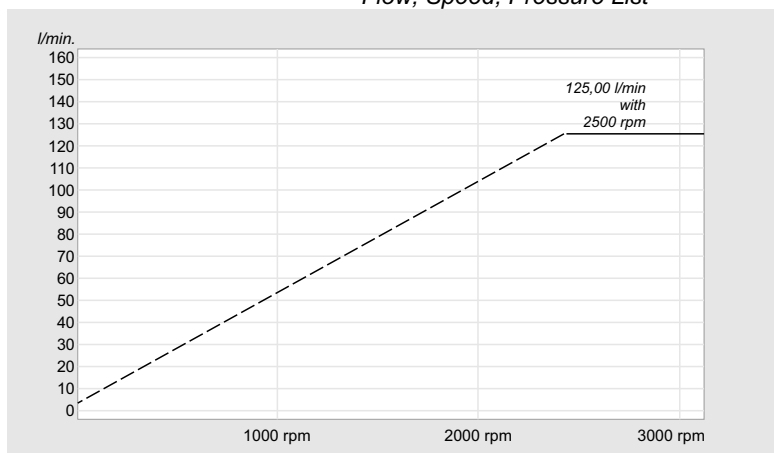


Back Cover



Flow, Speed, Pressure List

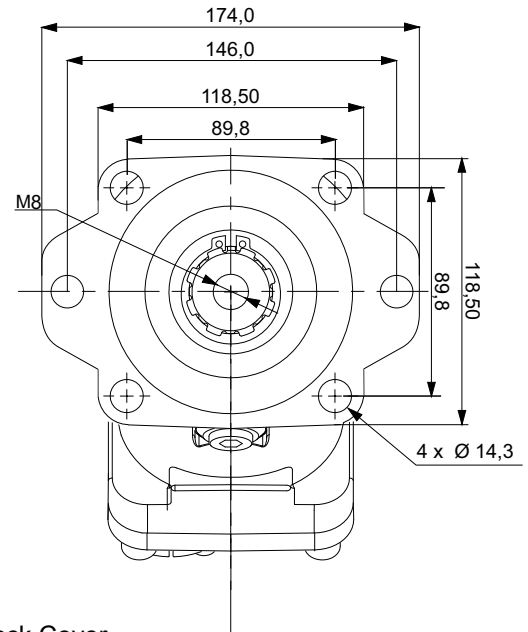
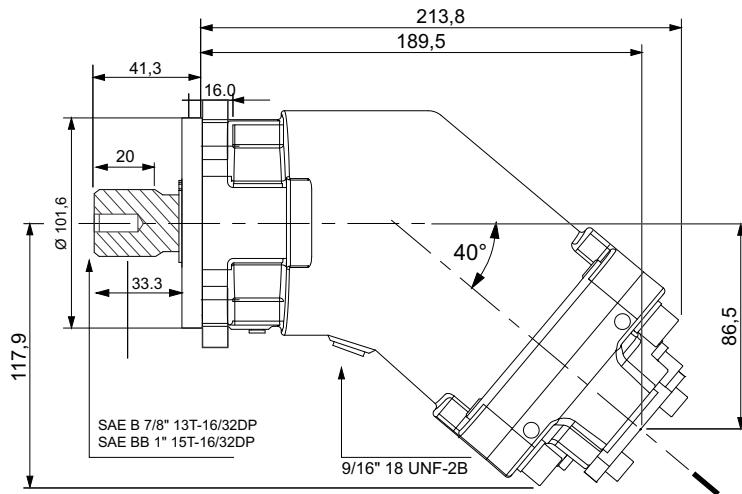
x 1000 rpm	50,00 cc
x 1500 rpm	75,00 cc
Max. Continuous Pump Speed	1900 rpm
Max. Limited Pump Speed	2500 rpm
Max. Continuous Pressure	350 bar
Max. Intermit. Peak Pressure	400 bar
Max. Torque at 350 bar	292 Nm
Weight without inlet fitting	12,00 kg
Weight with inlet fitting	12,40 kg
Rotation	CW-CCW



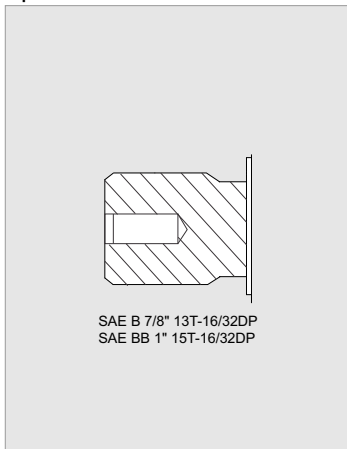
56 cc

SAE B 7/8" 13T-16/32DP SAE BB 1" 15T-16/32DP

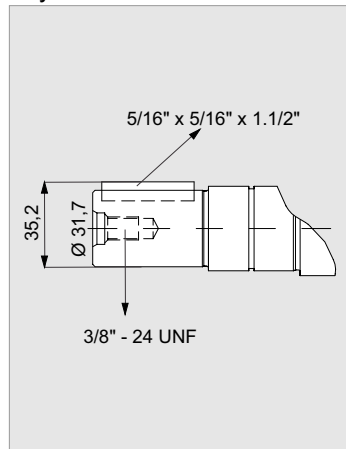
SAE B2 & B4 BOLT MOUNTING (SAE J744)



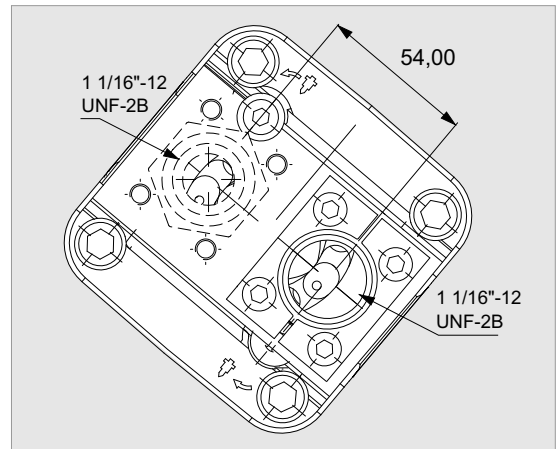
Spline Shaft



Keyed Shaft

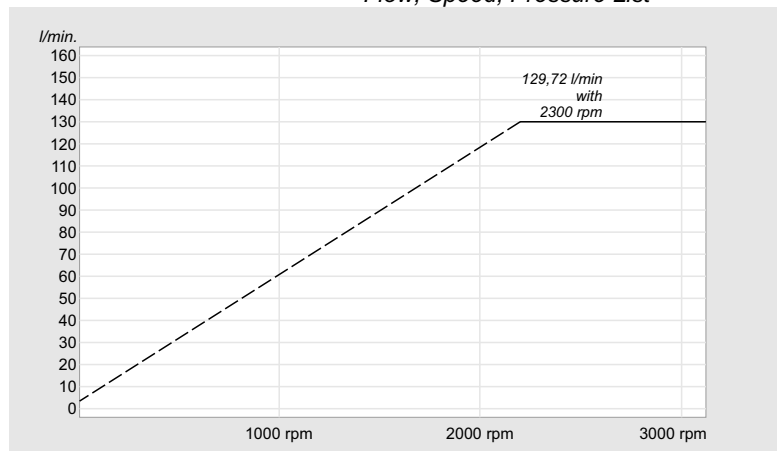


Back Cover



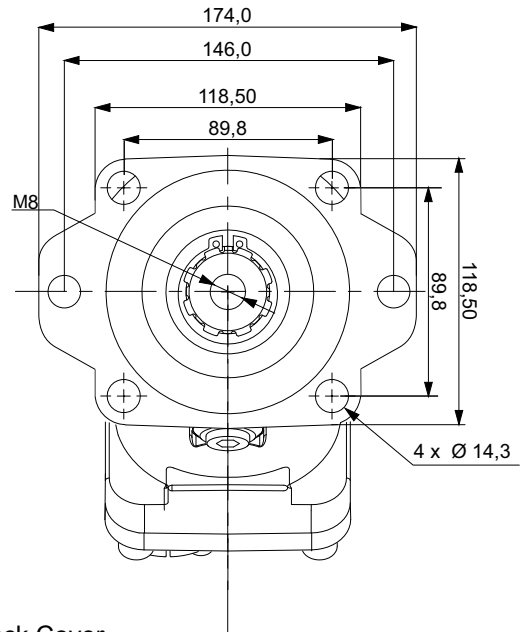
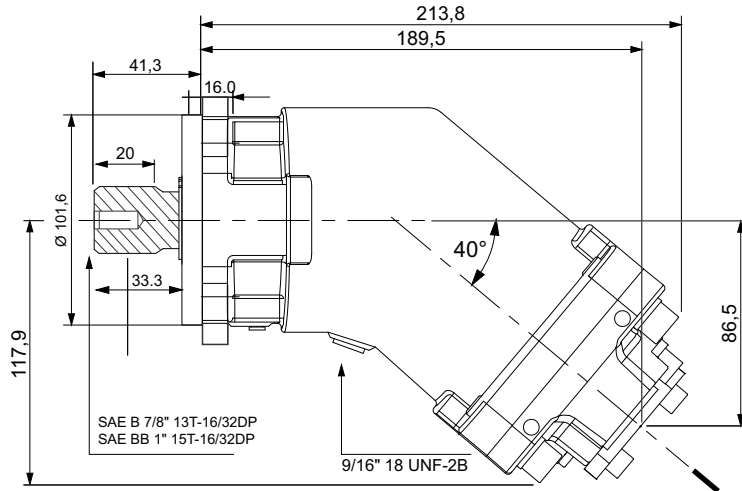
Flow, Speed, Pressure List

x 1000 rpm	56,40 cc
x 1500 rpm	84,60 cc
Max. Continuous Pump Speed	1900 rpm
Max. Limited Pump Speed	2300 rpm
Max. Continuous Pressure	350 bar
Max. Intermit. Peak Pressure	400 bar
Max. Torque at 350 bar	330 Nm
Weight without inlet fitting	12,50 kg
Weight with inlet fitting	12,90 kg
Rotation	CW-CCW

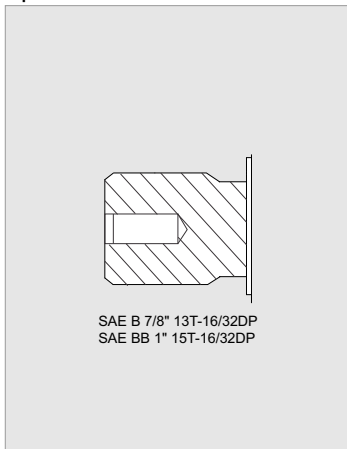


SAE B 7/8" 13T-16/32DP SAE BB 1" 15T-16/32DP

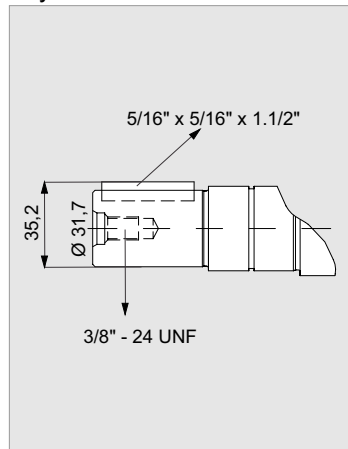
SAE B2 & B4 BOLT MOUNTING (SAE J744)



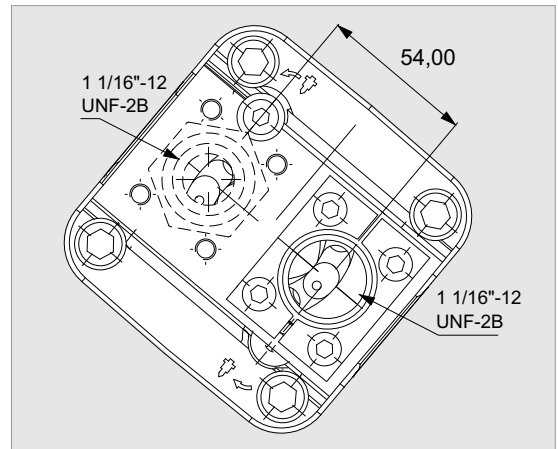
Spline Shaft



Keyed Shaft

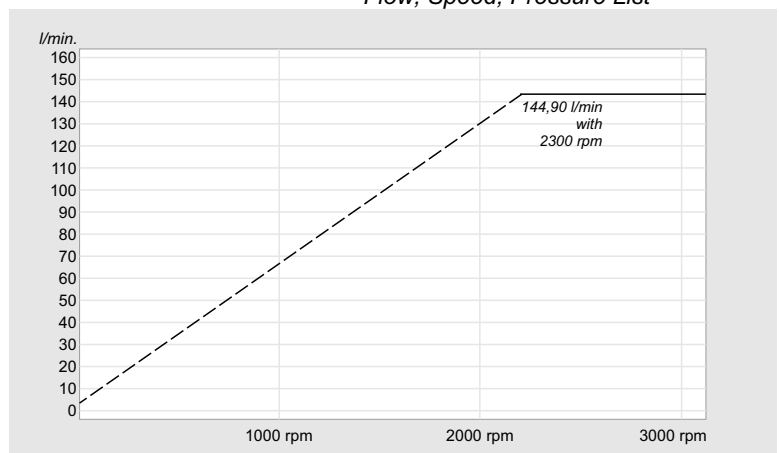


Back Cover



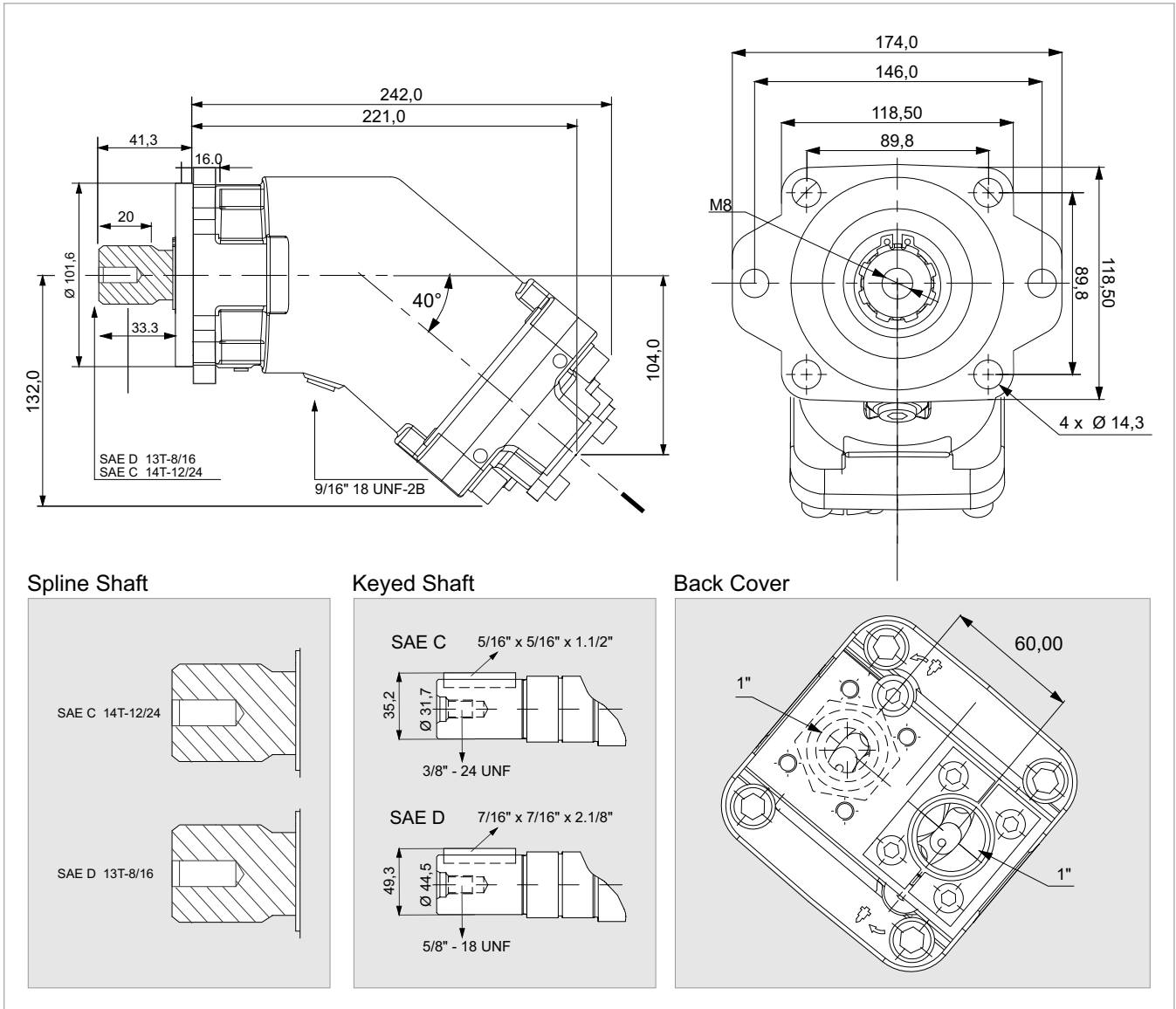
Flow, Speed, Pressure List

x 1000 rpm	63,00 cc
x 1500 rpm	94,50 cc
Max. Continuous Pump Speed	1900 rpm
Max. Limited Pump Speed	2300 rpm
Max. Continuous Pressure	350 bar
Max. Intermit. Peak Pressure	400 bar
Max. Torque at 350 bar	360 Nm
Weight without inlet fitting	12,50 kg
Weight with inlet fitting	12,90 kg
Rotation	CW-CCW



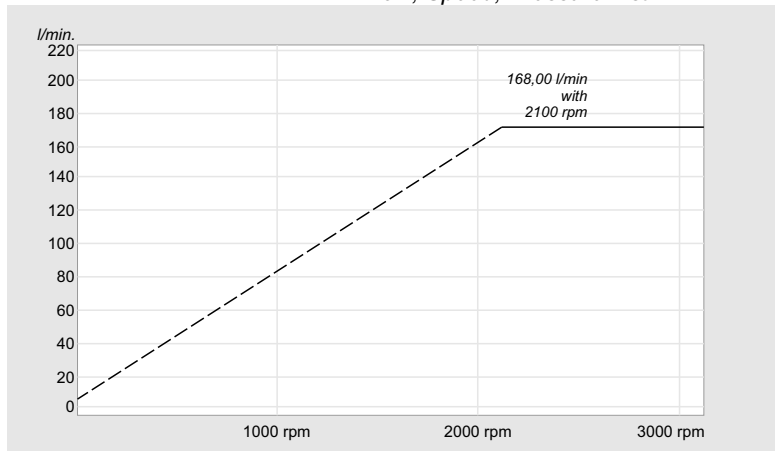
80 cc

SAE D 13T-8/16
SAE C 14T-12/24

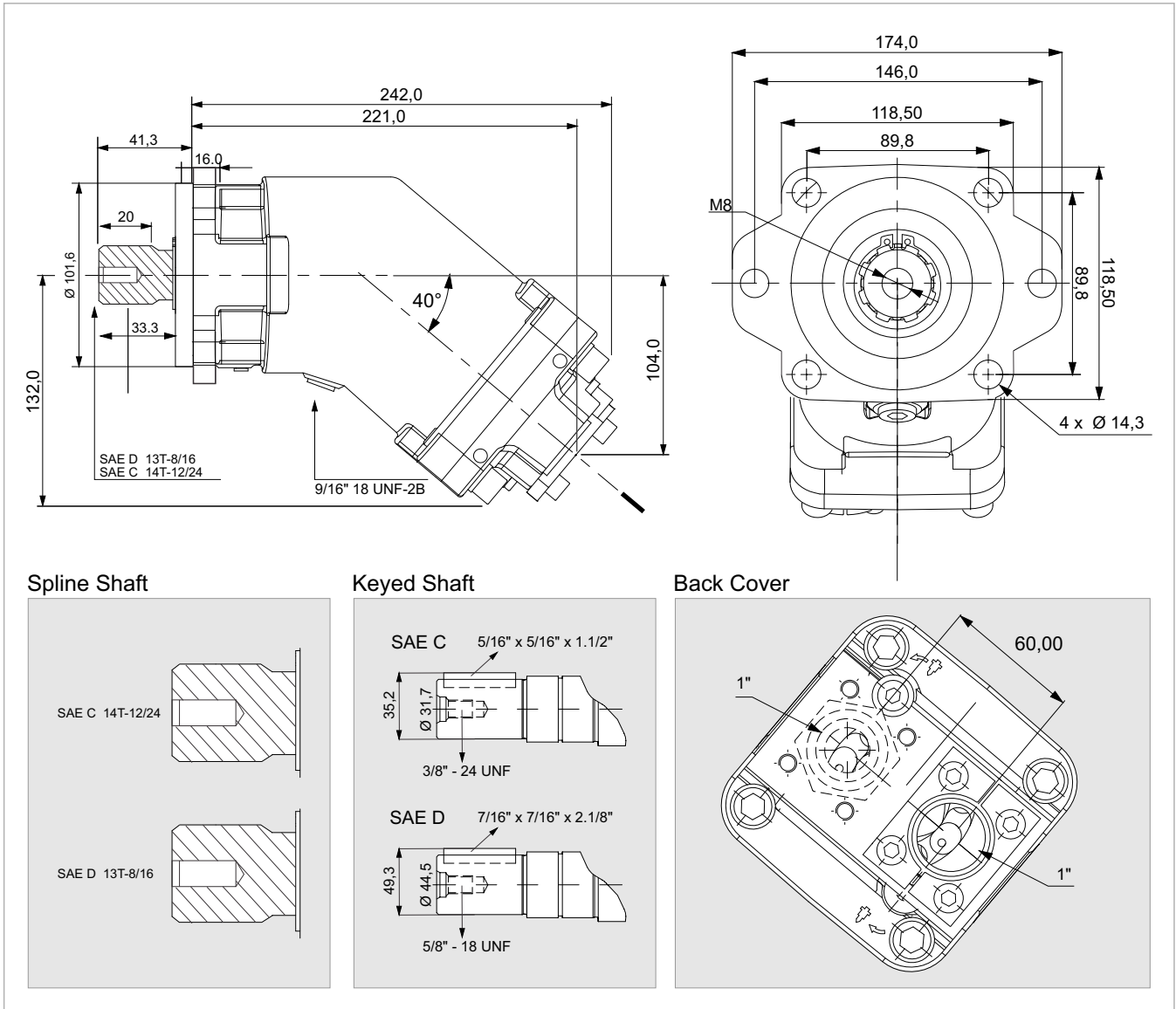


x 1000 rpm	80,00 cc
x 1500 rpm	120,00 cc
Max. Continuous Pump Speed	1700 rpm
Max. Limited Pump Speed	2100 rpm
Max. Continuous Pressure	350 bar
Max. Intermit. Peak Pressure	400 bar
Max. Torque at 350 bar	460 Nm
Weight without inlet fitting	16,00 kg
Weight with inlet fitting	16,40 kg
Rotation	CW-CCW

Flow, Speed, Pressure List



SAE D 13T-8/16
SAE C 14T-12/24



x 1000 rpm	108,40 cc
x 1500 rpm	162,60 cc
Max. Continuous Pump Speed	1700 rpm
Max. Limited Pump Speed	1900 rpm
Max. Continuous Pressure	350 bar
Max. Intermit. Peak Pressure	400 bar
Max. Torque at 350 bar	620 Nm
Weight without inlet fitting	16,50 kg
Weight with inlet fitting	16,90 kg
Rotation	CW-CCW

Flow, Speed, Pressure List

