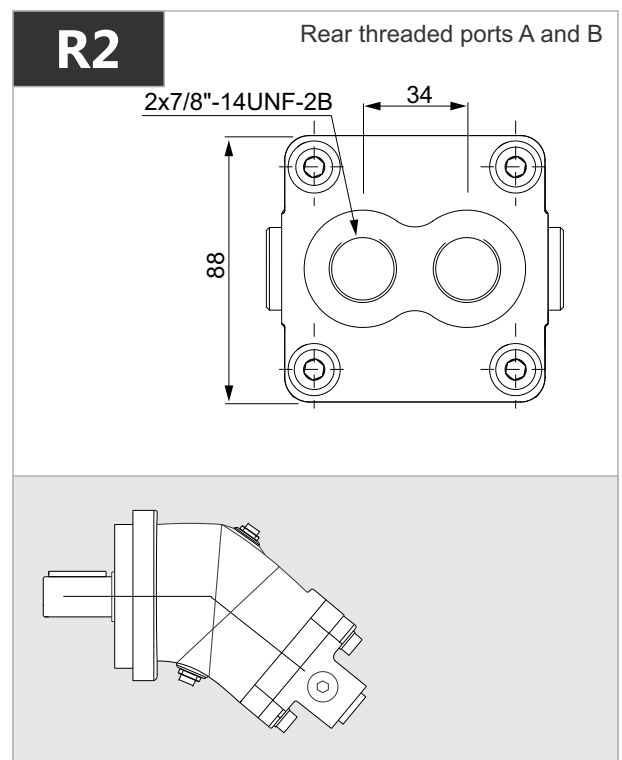
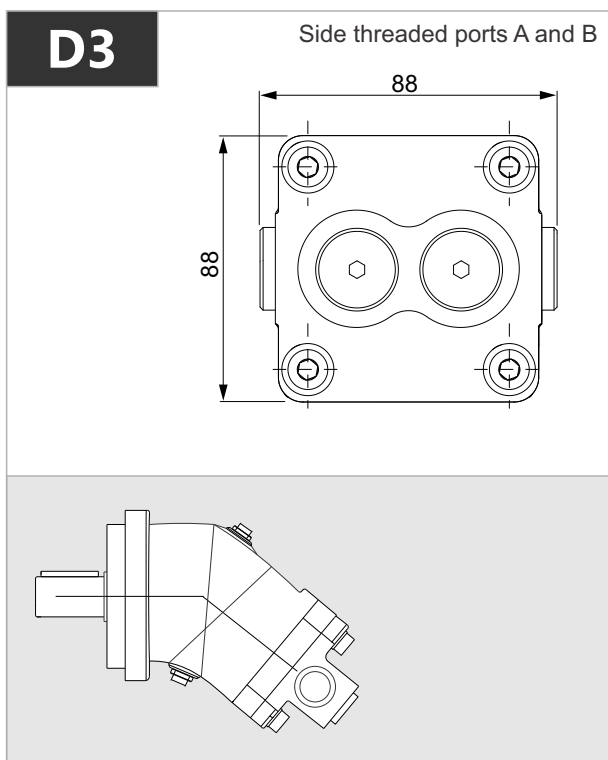
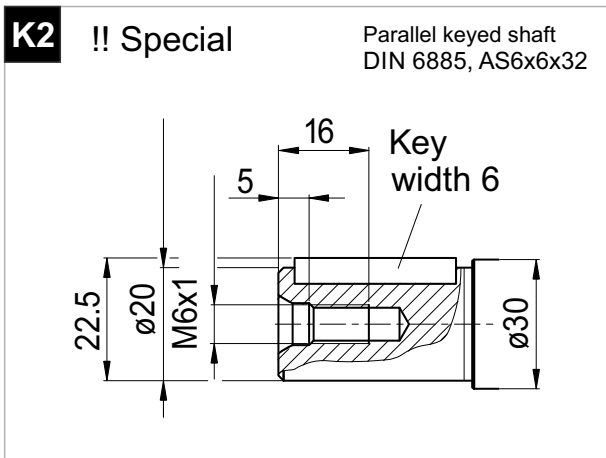
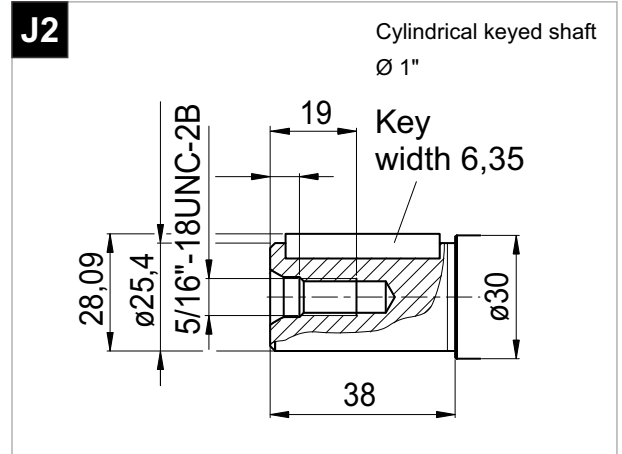
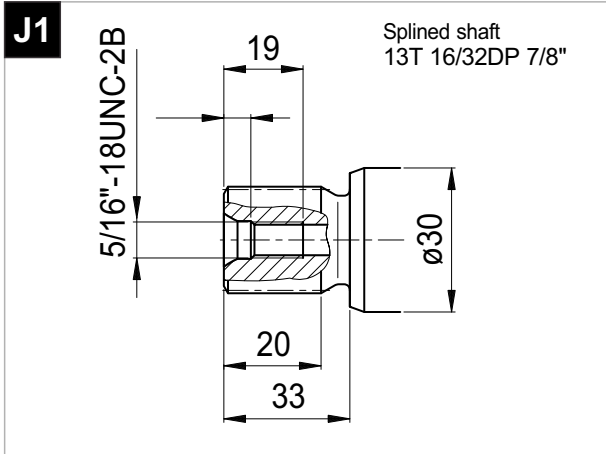
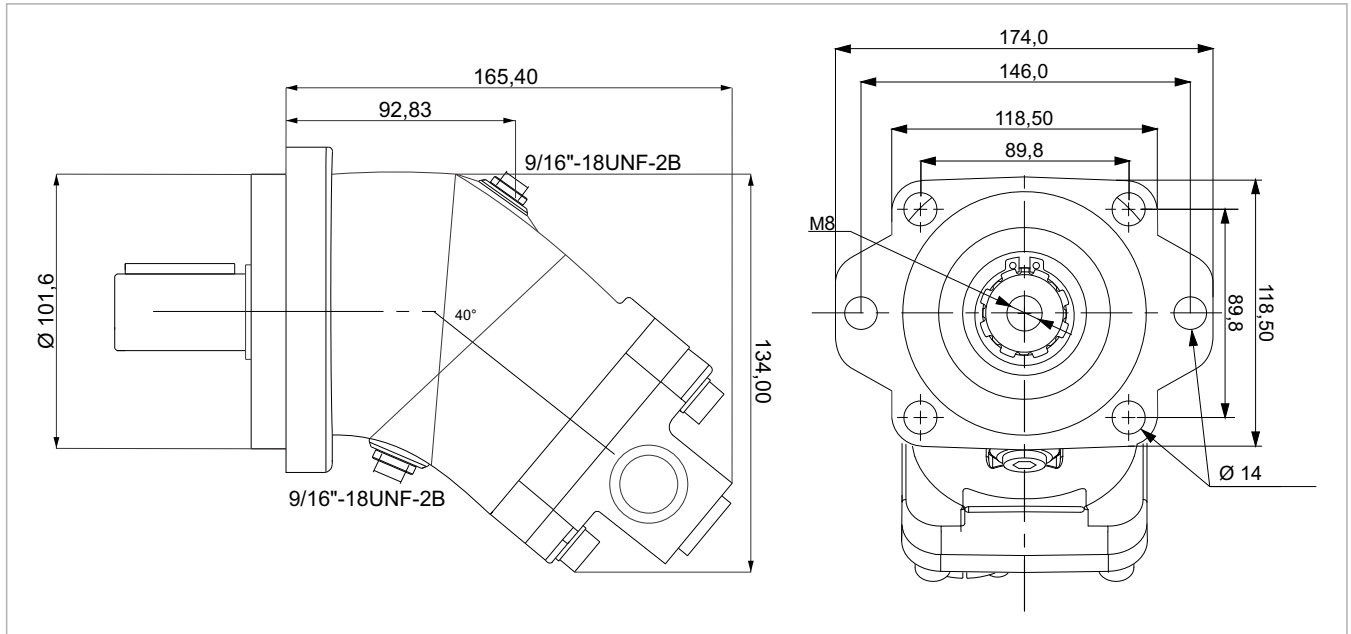


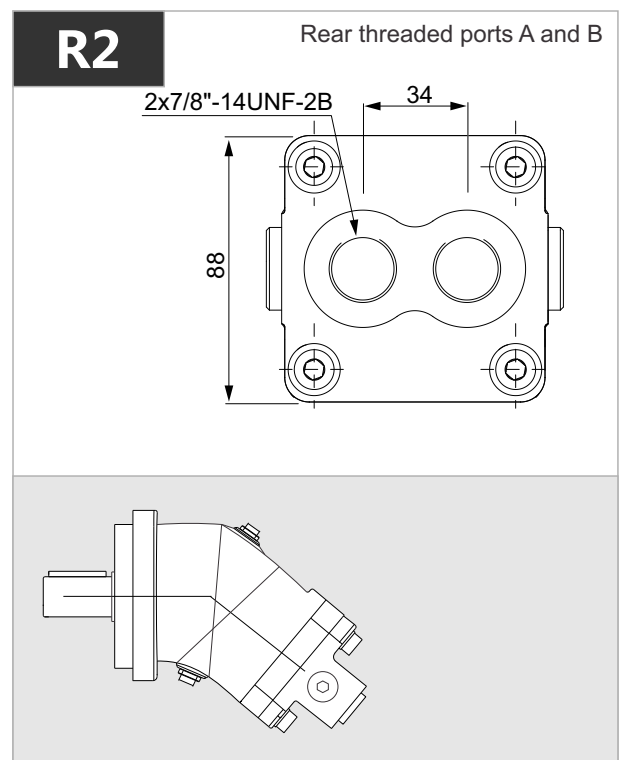
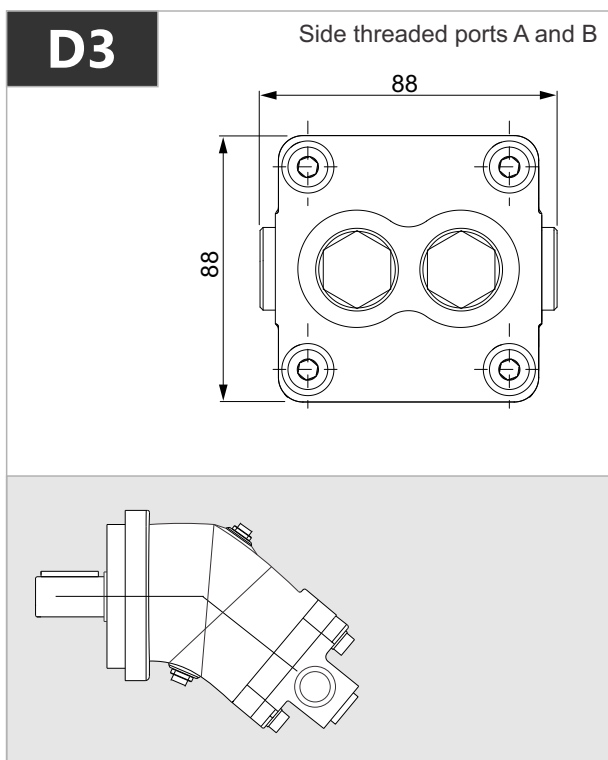
x 1000 rpm	x 1500 rpm	Max. Contin. Pump Speed	Max. Intermit. Pump Speed	Max. Contin. Pressure	Max. Peak Pressure	Torque bar	Torque at 350 bar	Max. Flow	Weight without accessor.	Weight with accessor.	Max. Motor Temp.	Min. Motor Temp.
10,00 cc	15,00 cc	8000 rpm	8800 rpm	400 bar	450 bar	0.17 m.N/bar	64 m.N	80	6,50 kg	7,00 kg	-25°	110°

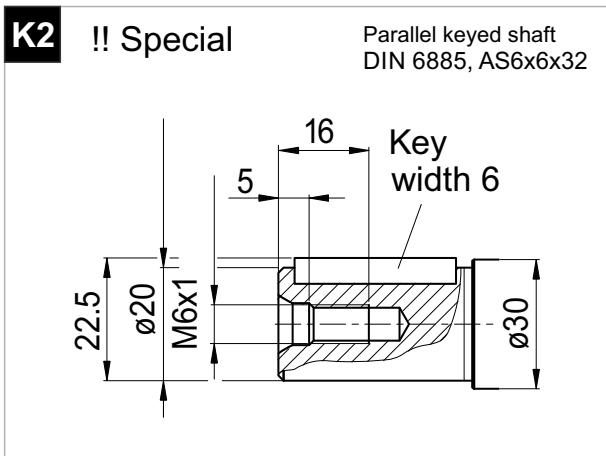
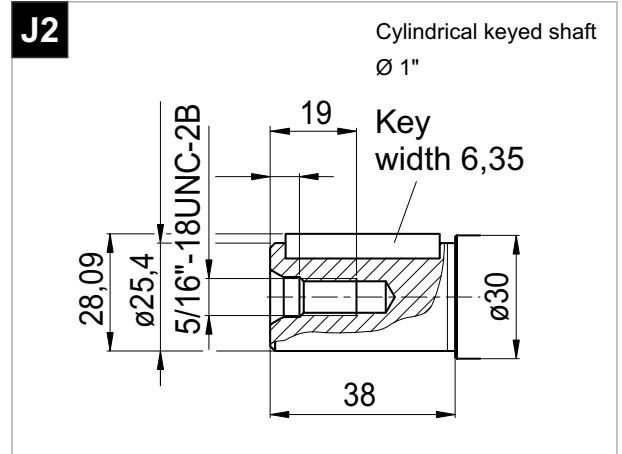
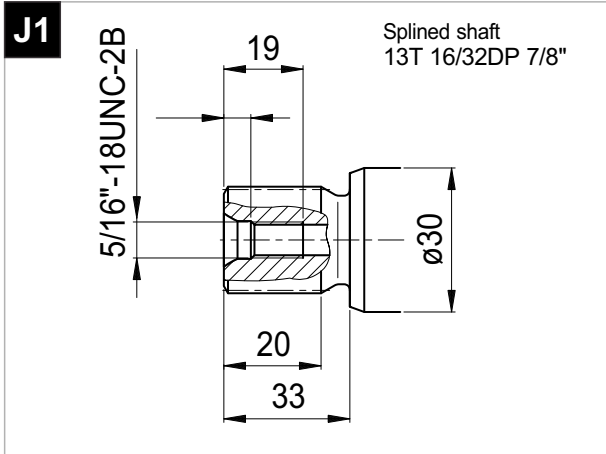


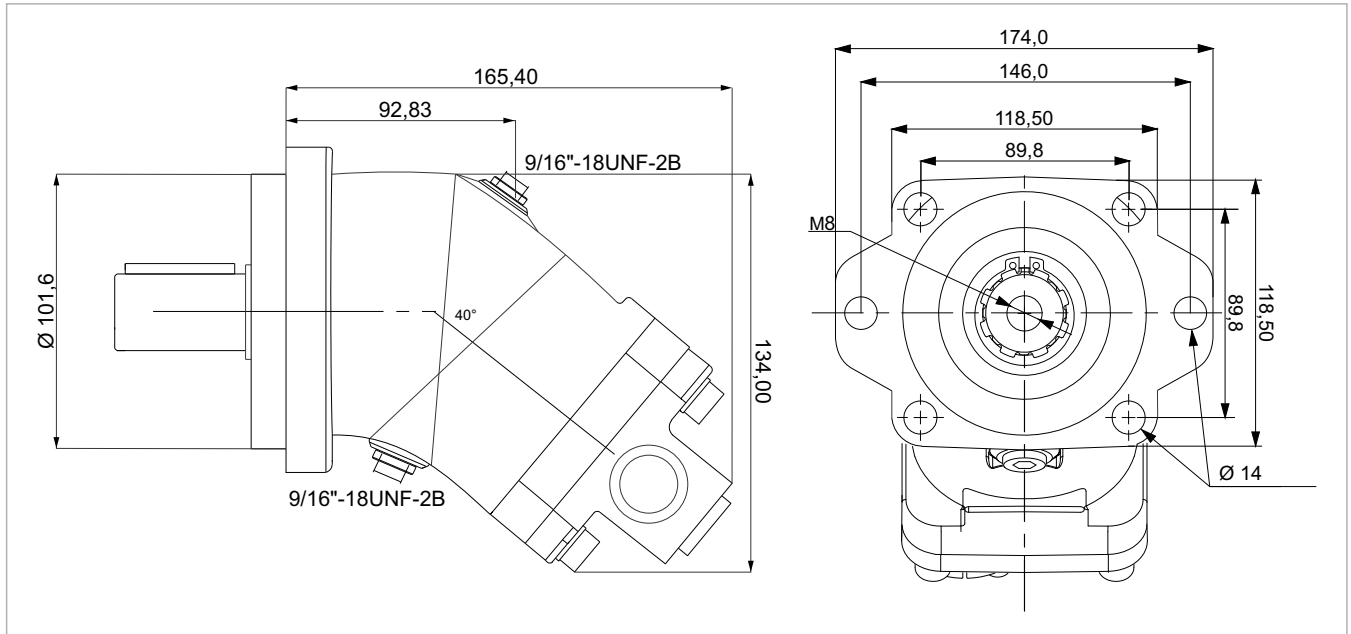




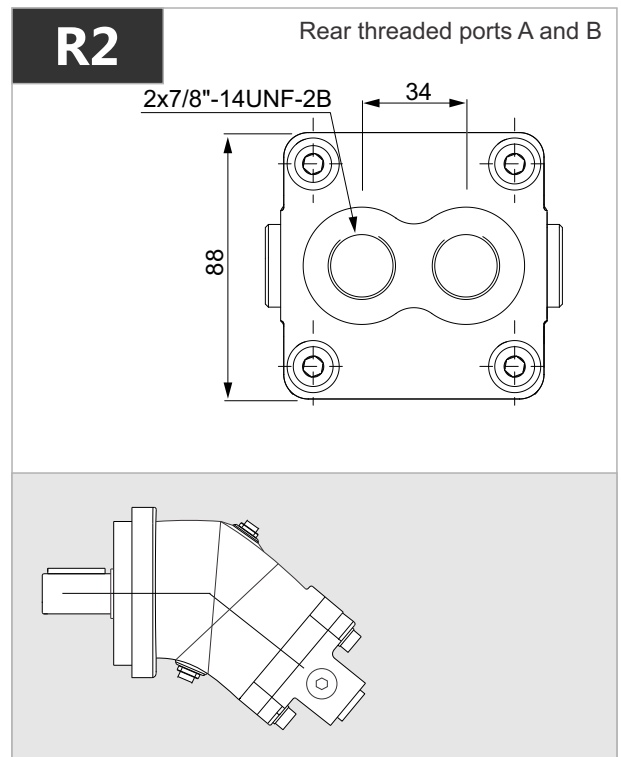
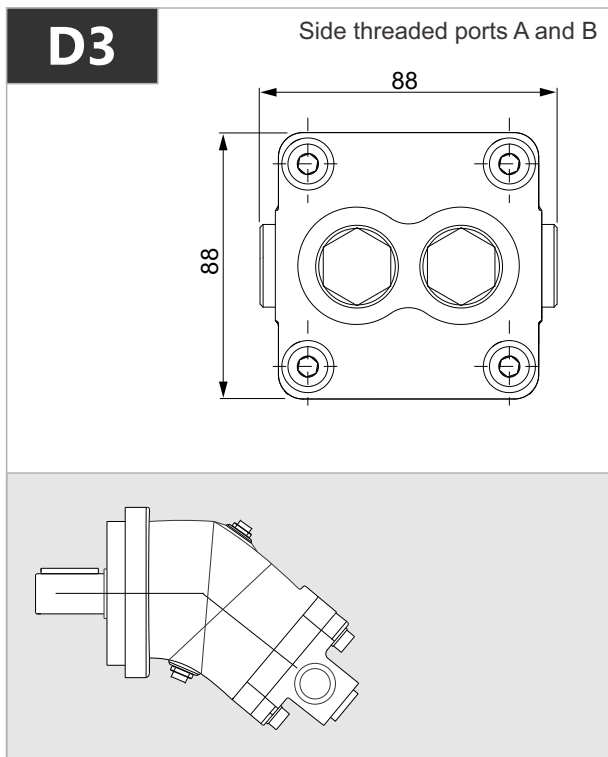
x 1000 rpm	x 1500 rpm	Max. Contin. Pump Speed	Max. Intermit. Pump Speed	Max. Contin. Pressure	Max. Peak Pressure	Torque bar	Torque at 350 bar	Max. Flow	Weight without accessor.	Weight with accessor.	Max. Motor Temp.	Min. Motor Temp.
12,00 cc	18,00 cc	8000 rpm	8800 rpm	400 bar	450 bar	0.18 m.N/bar	66 m.N	96	6,50 kg	7,00 kg	-25°	110°

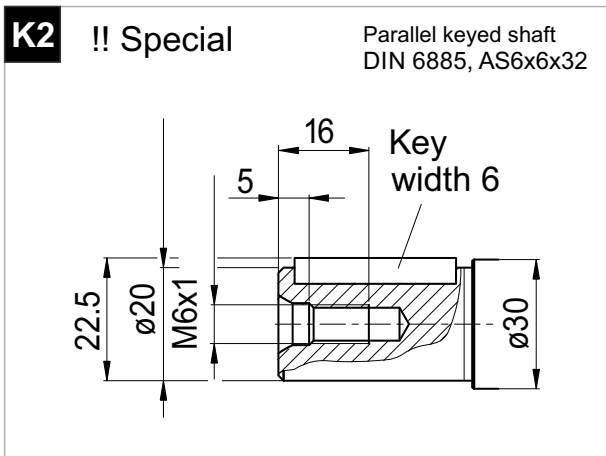
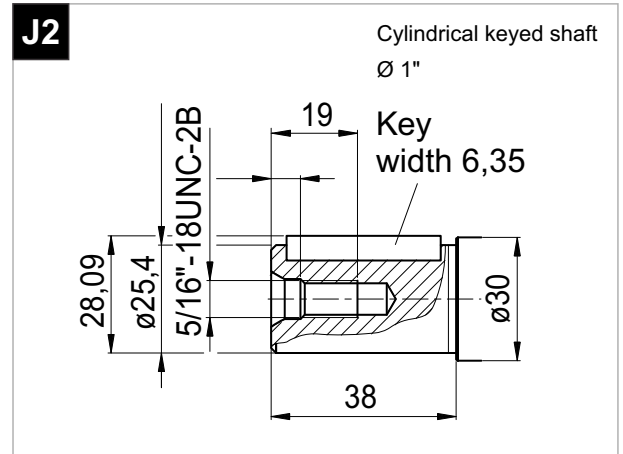
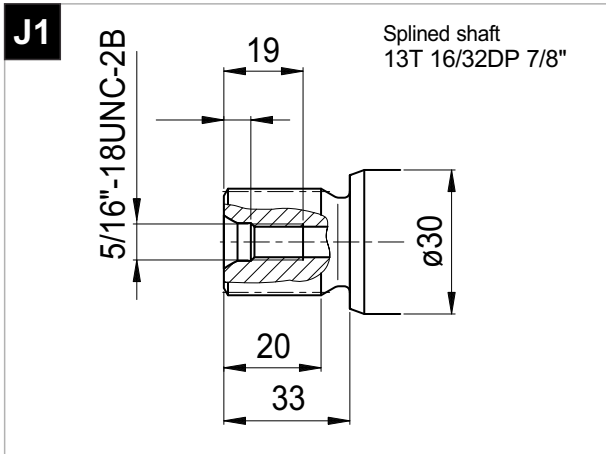


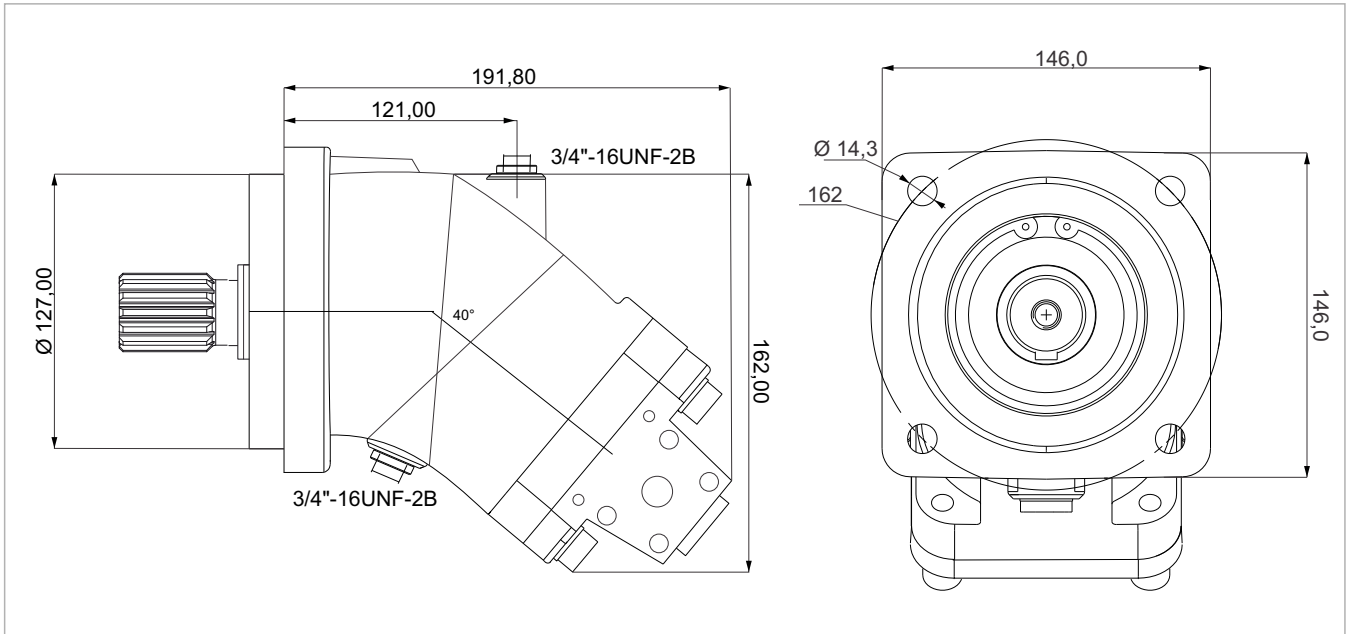




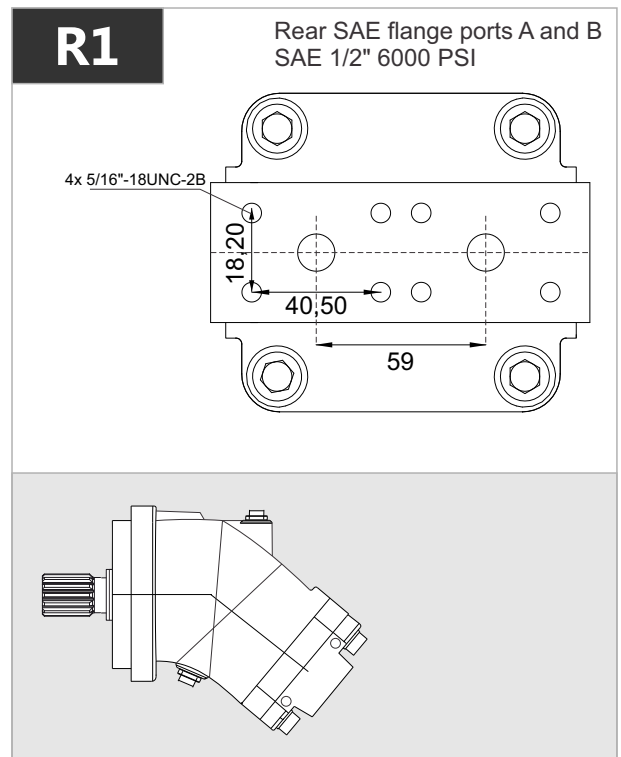
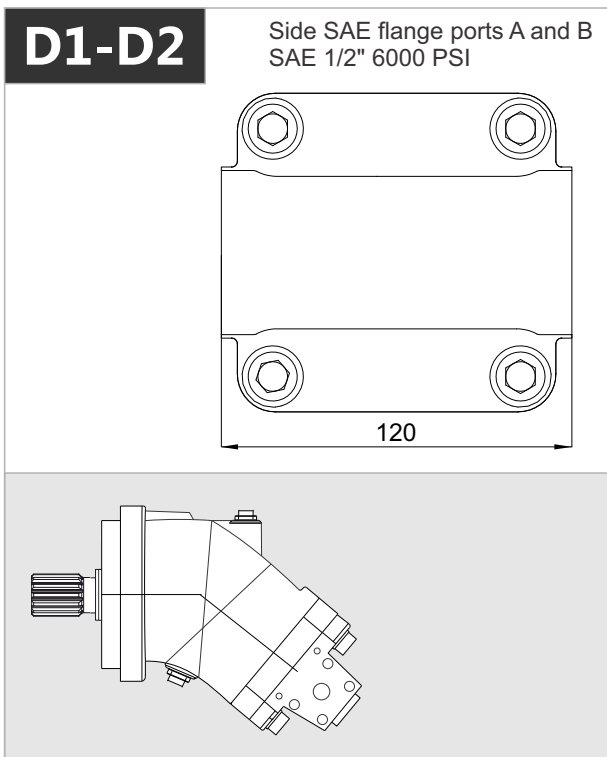
x 1000 rpm	x 1500 rpm	Max. Contin. Pump Speed	Max. Intermit. Pump Speed	Max. Contin. Pressure	Max. Peak Pressure	Torque bar	Torque at 350 bar	Max. Flow	Weight without accessor.	Weight with accessor.	Max. Motor Temp.	Min. Motor Temp.
18,00 cc	27,00 cc	8000 rpm	8800 rpm	400 bar	450 bar	0.28 m.N/bar	98 m.N	144	6,50 kg	7,0 kg	-25°	110°







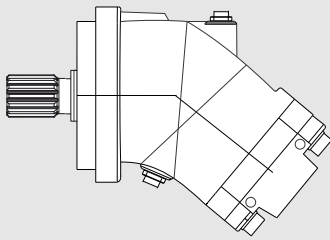
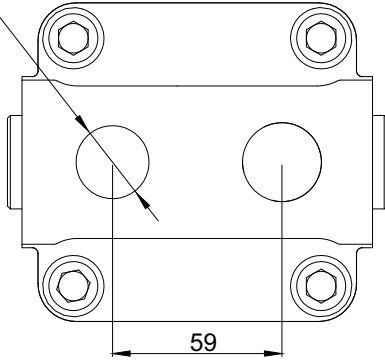
x 1000 rpm	x 1500 rpm	Max. Contin. Pump Speed	Max. Intermit. Pump Speed	Max. Contin. Pressure	Max. Peak Pressure	Torque bar	Torque at 350 bar	Max. Flow	Weight without accessor.	Weight with accessor.	Max. Motor Temp.	Min. Motor Temp.
25,00 cc	37,50 cc	6250 rpm	6800 rpm	400 bar	450 bar	0.40 m.N/bar	140 m.N	156	11,50 kg	11,80 kg	-25°	110°



**R2**

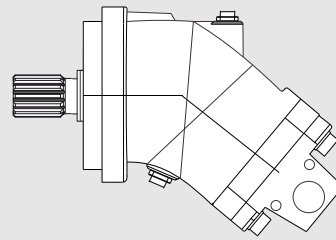
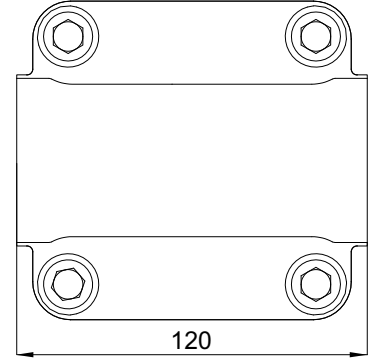
Rear threaded ports A and B

2x1 5/16"-  
12UN-2B



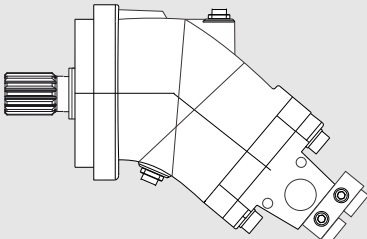
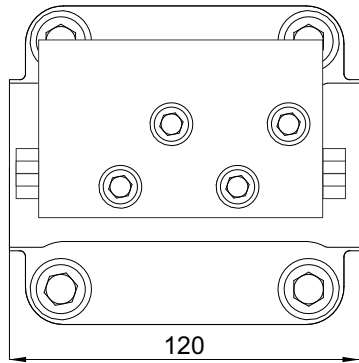
**D3**

Side threaded ports

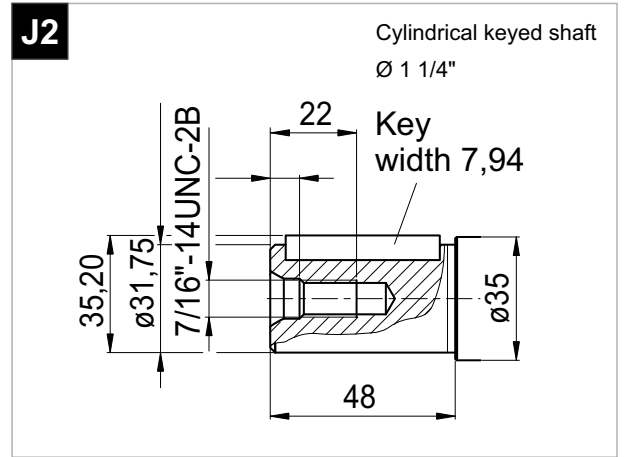
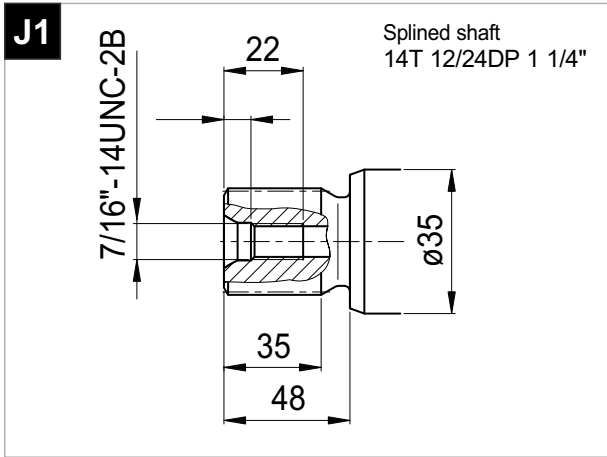


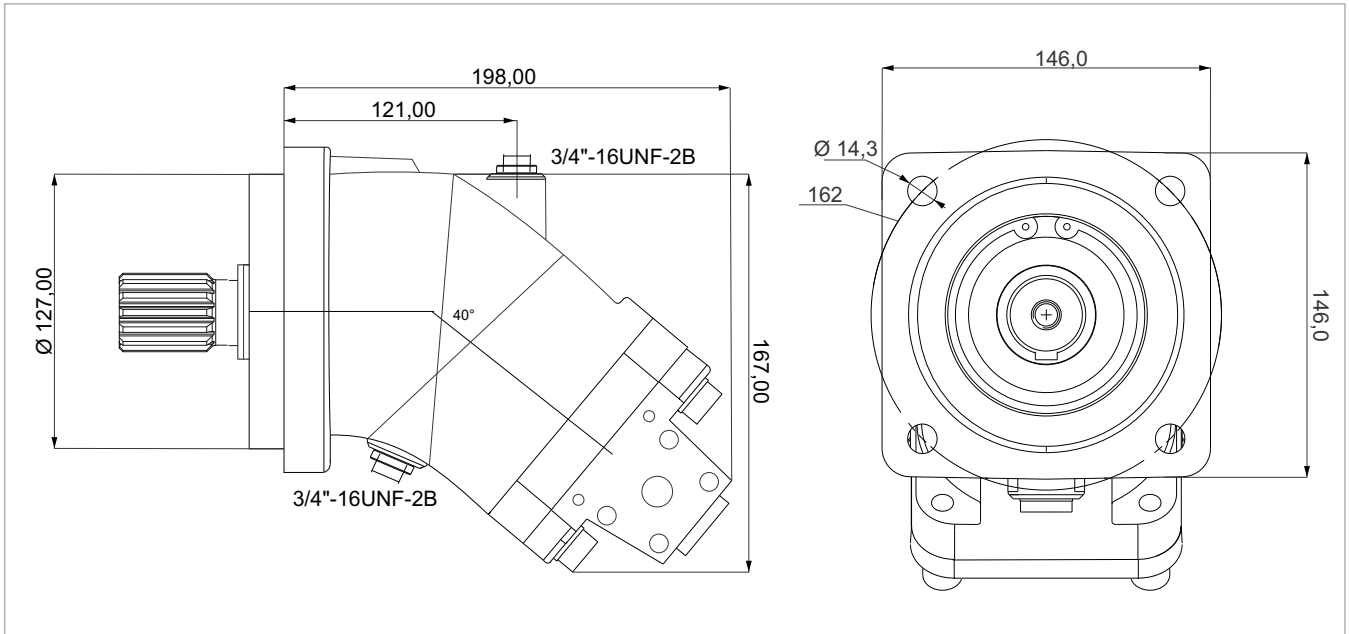
**D4**

Side threaded ports

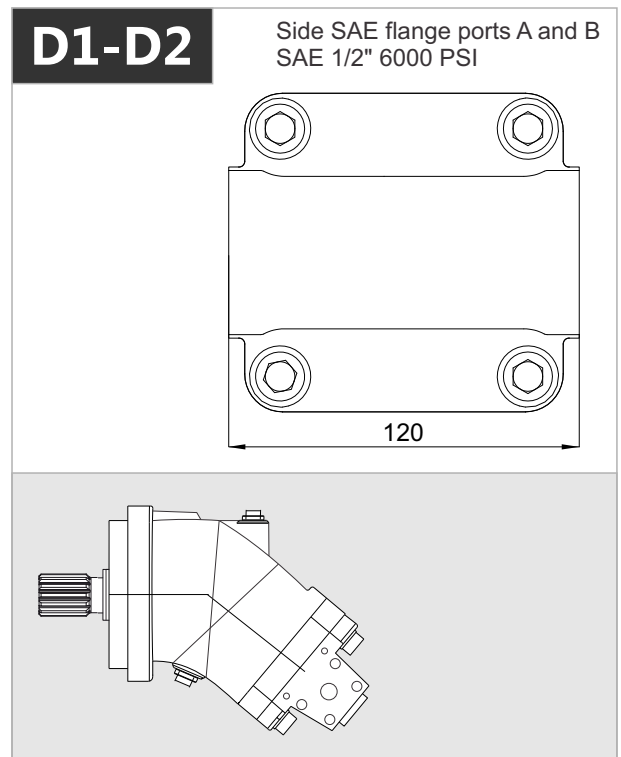
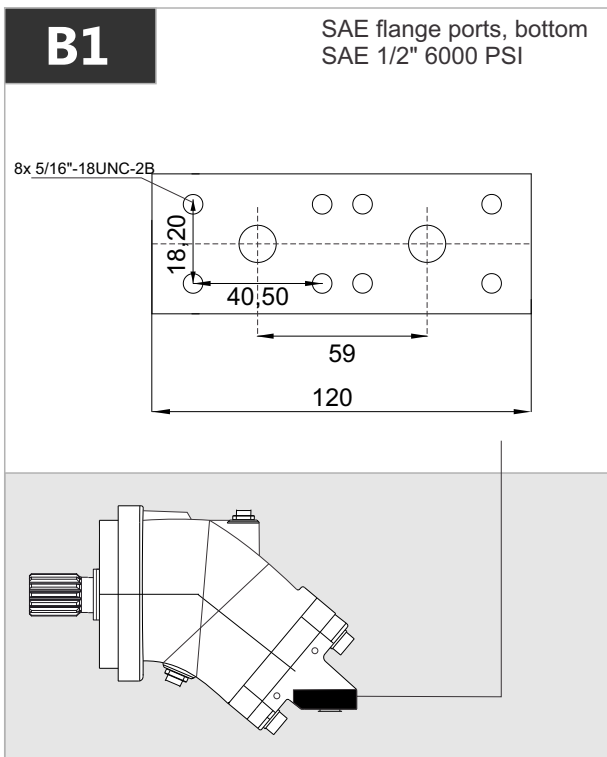






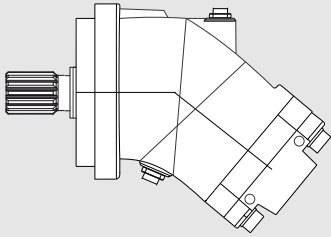
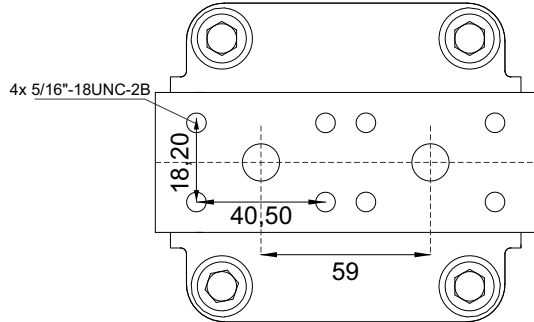


x 1000 rpm	x 1500 rpm	Max. Contin. Pump Speed	Max. Intermit. Pump Speed	Max. Contin. Pressure	Max. Peak Pressure	Torque bar	Torque at 350 bar	Max. Flow	Weight without accessor.	Weight with accessor.	Max. Motor Temp.	Min. Motor Temp.
32,00 cc	48,00 cc	6250 rpm	6800 rpm	400 bar	450 bar	0.51 m.N/bar	174 m.N	200	11,50 kg	11,90 kg	-25°	110°



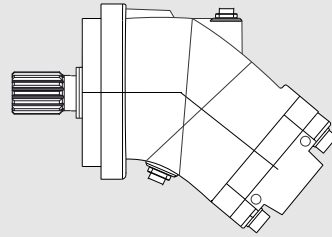
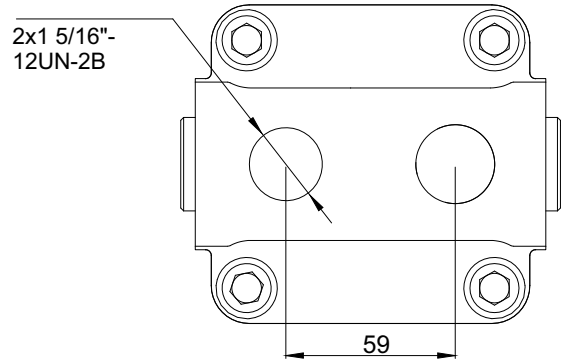
## R1

Rear SAE flange ports A and B  
SAE 1/2" 6000 PSI



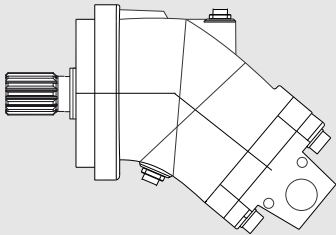
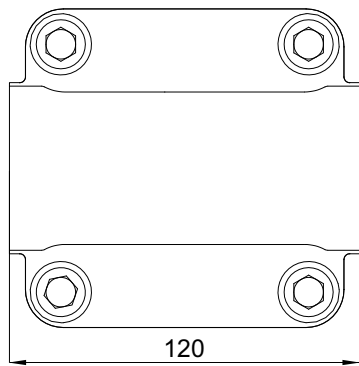
## R2

Rear threaded ports



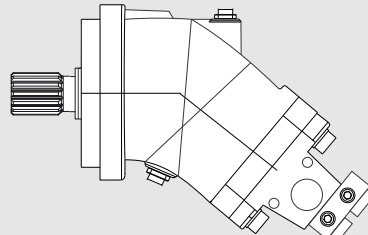
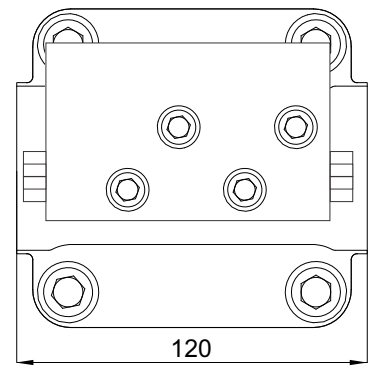
## D3

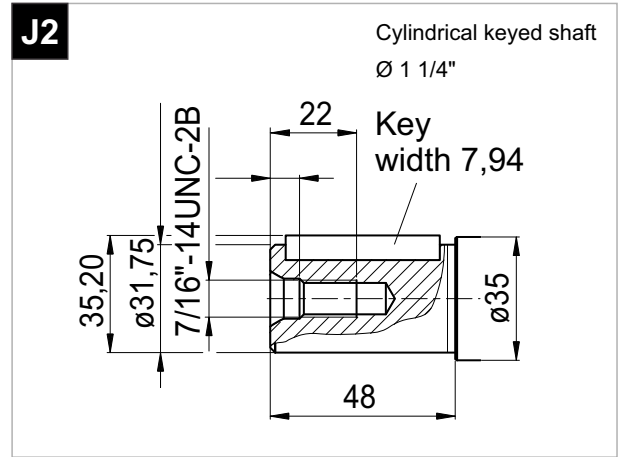
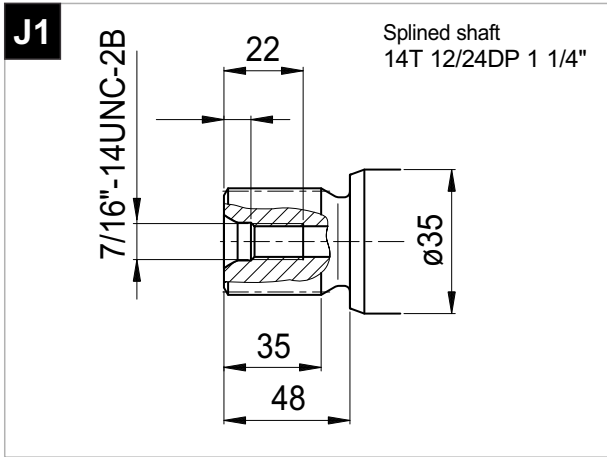
Side threaded ports A and B

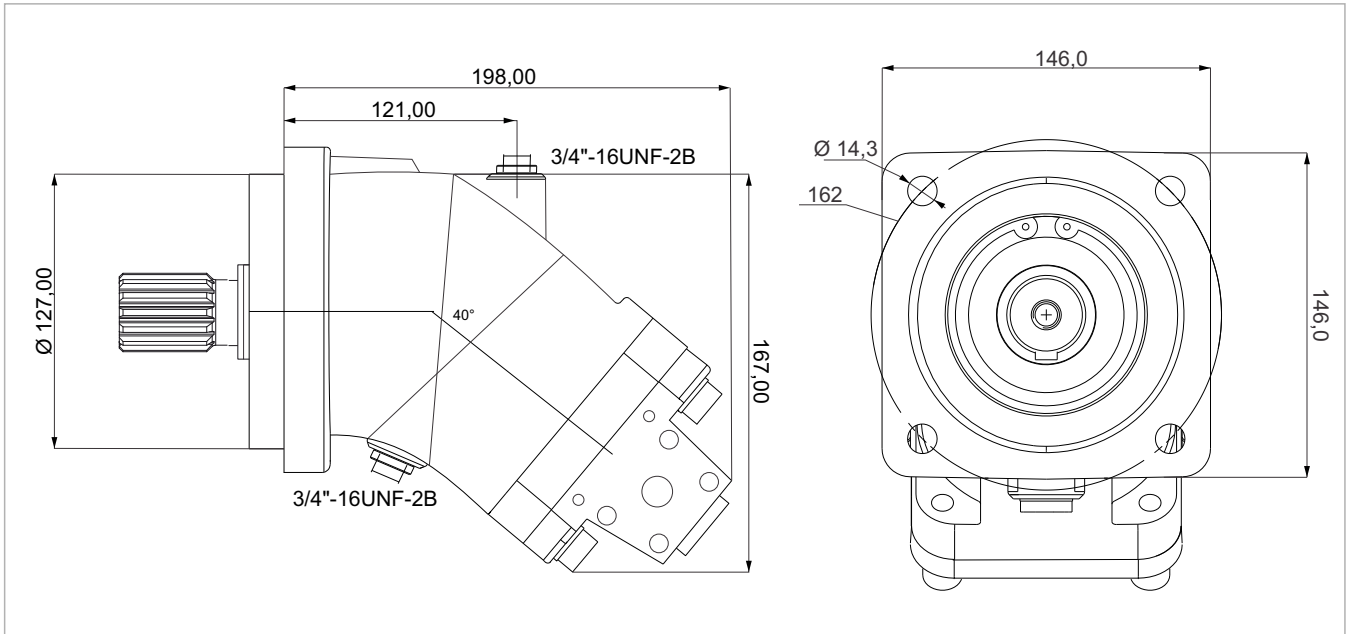


## D4

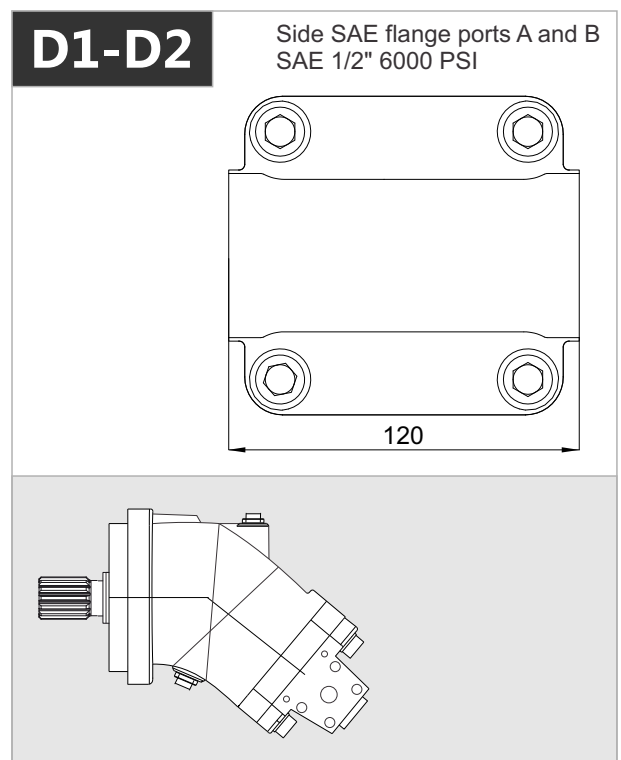
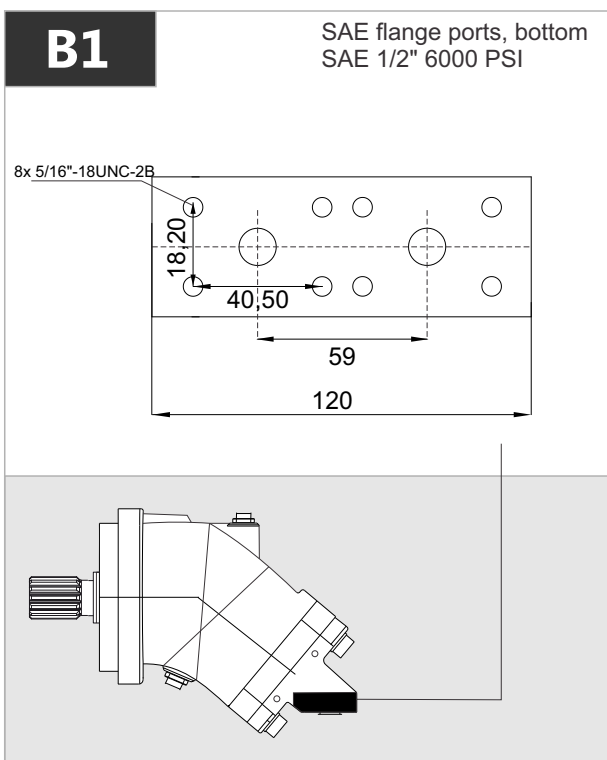
Side threaded ports A and B





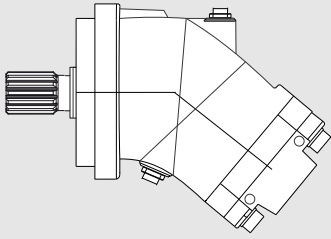
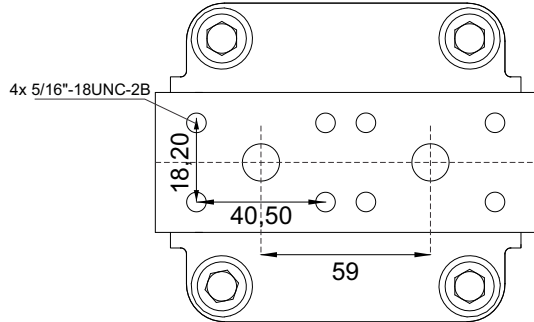


x 1000 rpm	x 1500 rpm	Max. Contin. Pump Speed	Max. Intermit. Pump Speed	Max. Contin. Pressure	Max. Peak Pressure	Torque bar	Torque at 350 bar	Max. Flow	Weight without accessor.	Weight with accessor.	Max. Motor Temp.	Min. Motor Temp.
40,20 cc	60,30 cc	5600 rpm	6300 rpm	400 bar	450 bar	0.68 m.N/bar	228 m.N	225	11,50 kg	11,90 kg	-25°	110°



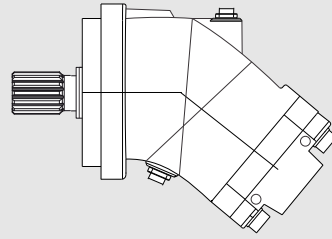
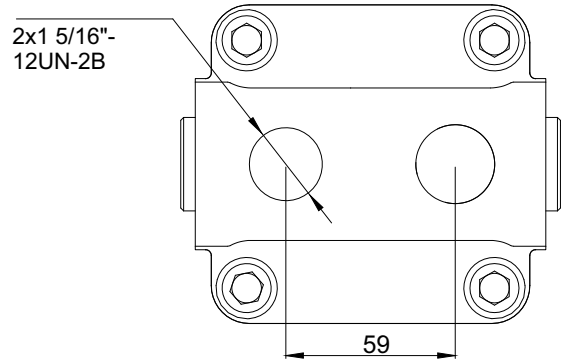
## R1

Rear SAE flange ports A and B  
SAE 1/2" 6000 PSI



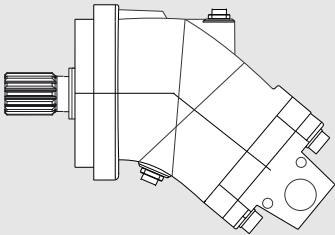
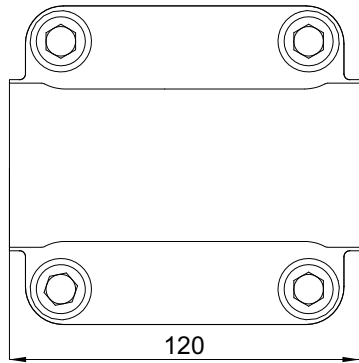
## R2

Rear threaded ports



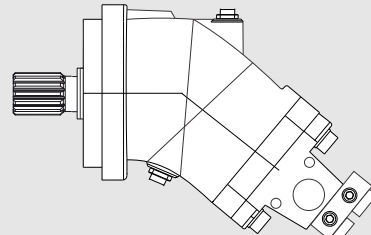
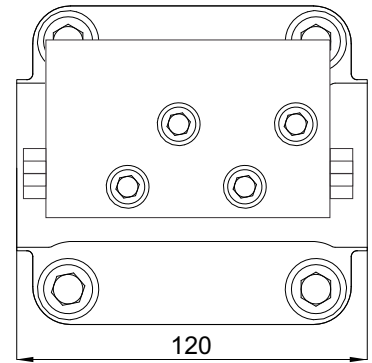
## D3

Side threaded ports A and B



## D4

Side threaded ports A and B

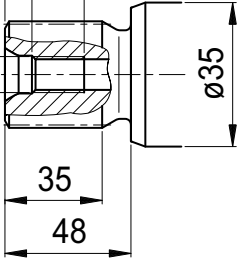


**J1**

7/16"-14UNC-2B

22

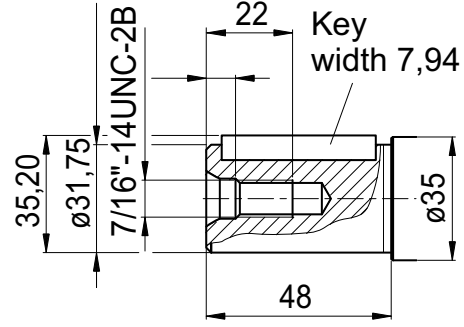
Splined shaft  
14T 12/24DP 1 1/4"

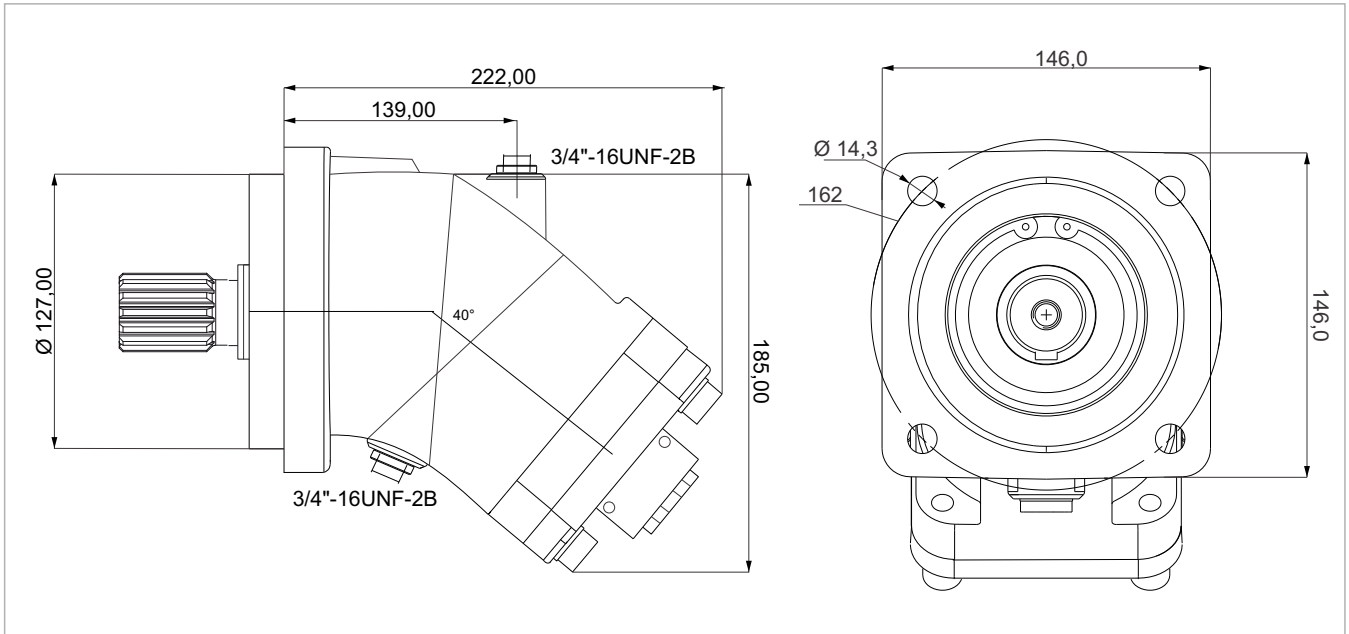


**J2**

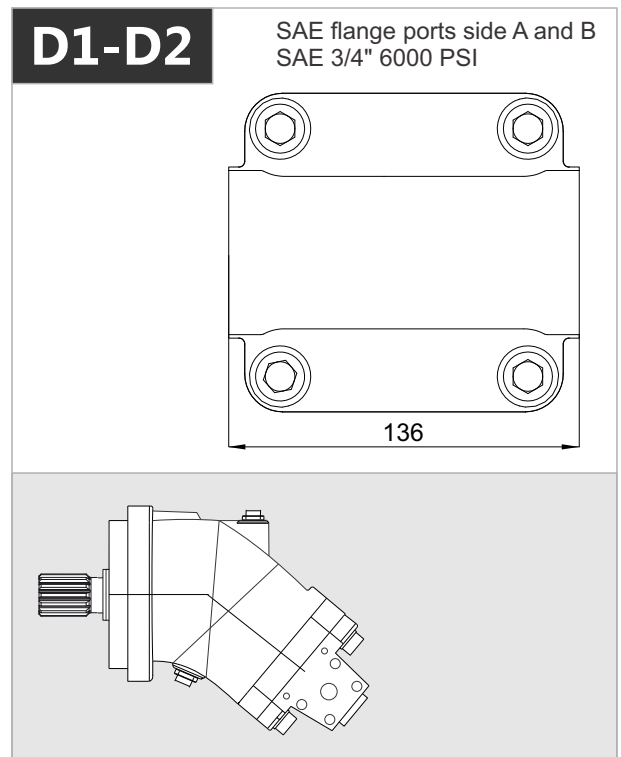
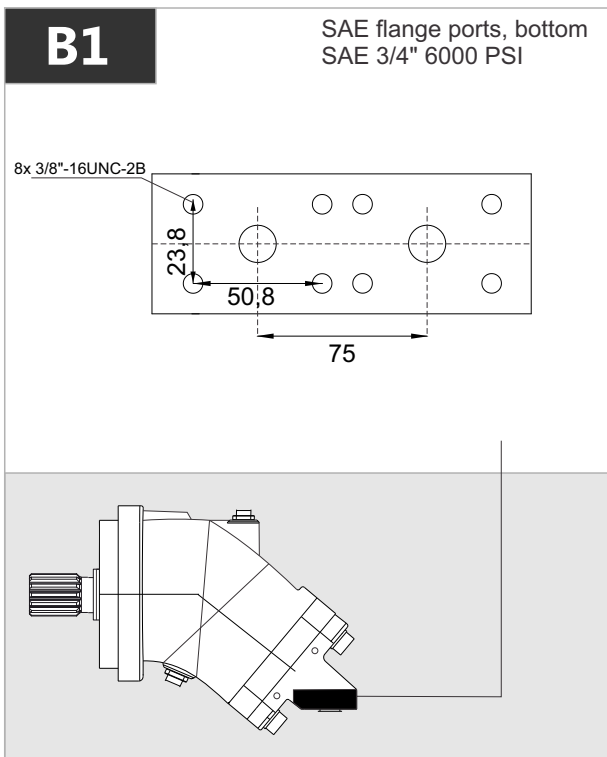
Cylindrical keyed shaft  
 $\phi 1 1/4"$

Key  
width 7,94





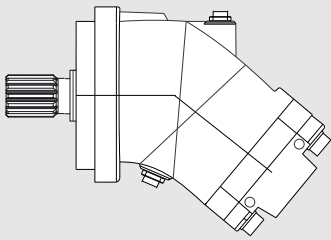
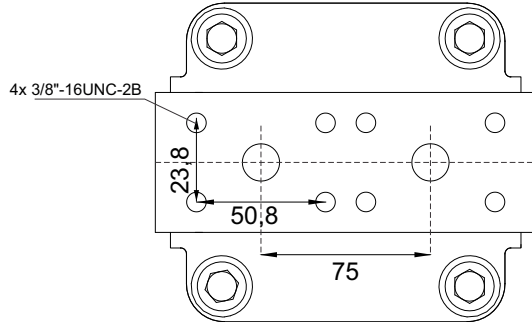
x 1000 rpm	x 1500 rpm	Max. Contin. Pump Speed	Max. Intermit. Pump Speed	Max. Contin. Pressure	Max. Peak Pressure	Torque bar	Torque at 350 bar	Max. Flow	Weight without accessor.	Weight with accessor.	Max. Motor Temp.	Min. Motor Temp.
50,00 cc	75,00 cc	5000 rpm	5500 rpm	400 bar	450 bar	0.80 m.N/bar	280 m.N	250	17,50 kg	18,00 kg	-25°	110°





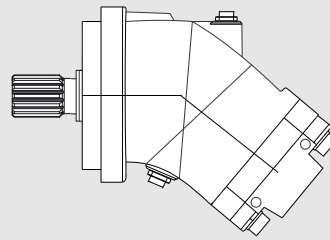
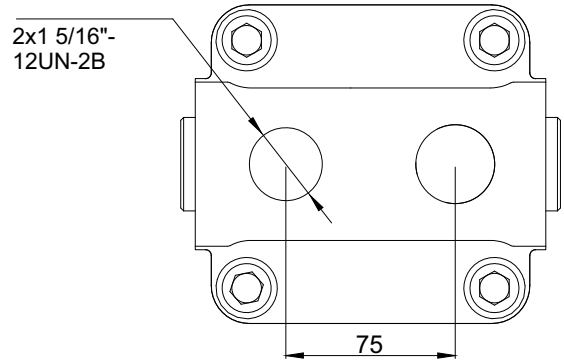
## R1

SAE flange ports rear  
SAE 3/4" 6000 PSI



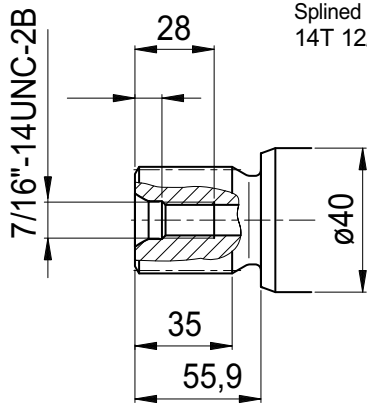
## R2

Rear threaded ports



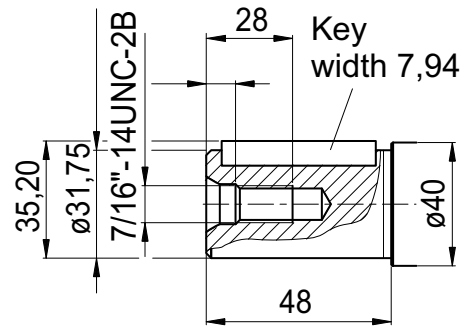
## J1

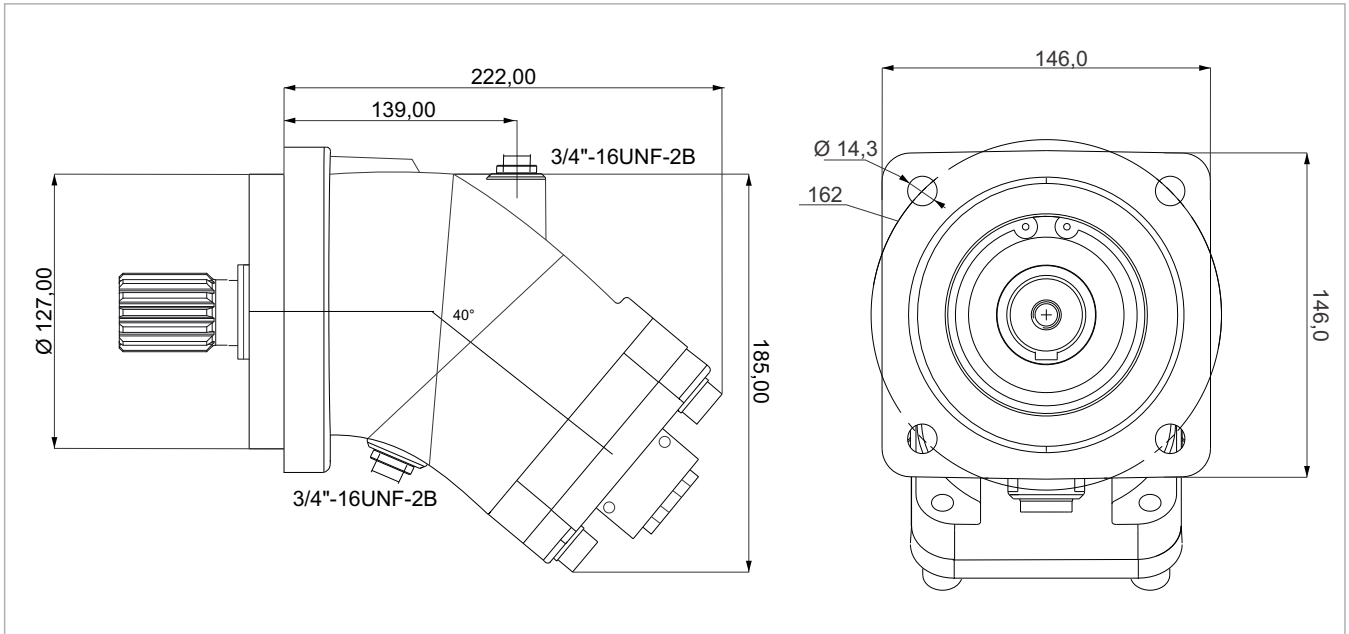
Splined shaft  
14T 12/24DP 1 1/4"



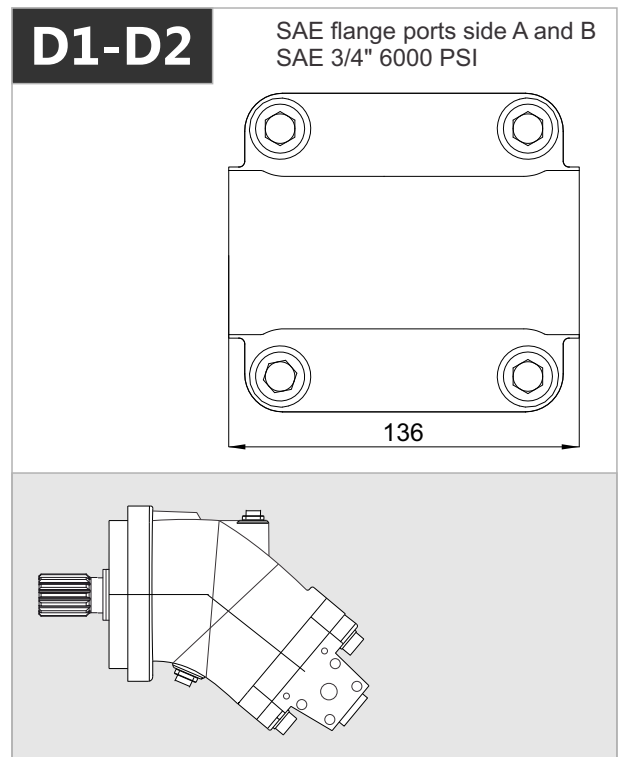
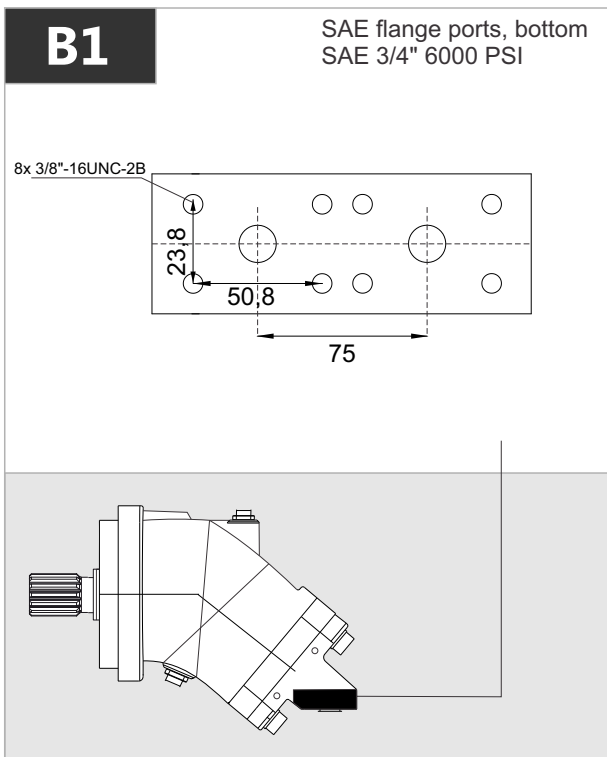
## J2

Cylindrical keyed shaft  
Ø 1 1/4"



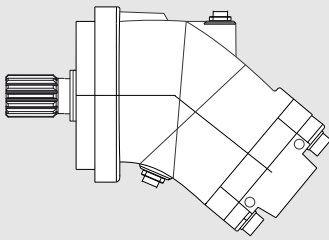
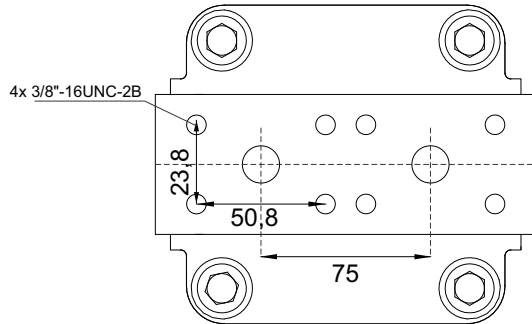


x 1000 rpm	x 1500 rpm	Max. Contin. Pump Speed	Max. Intermit. Pump Speed	Max. Contin. Pressure	Max. Peak Pressure	Torque bar	Torque at 350 bar	Max. Flow	Weight without accessor.	Weight with accessor.	Max. Motor Temp.	Min. Motor Temp.
56,40 cc	84,60 cc	5000 rpm	5500 rpm	400 bar	450 bar	0.92 m.N/bar	320 m.N	282	18,00 kg	18,50 kg	-25°	110°



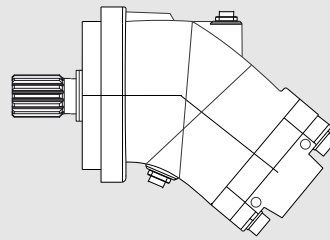
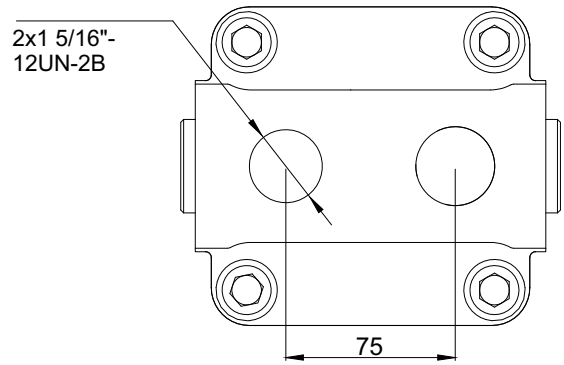
## R1

SAE flange ports rear  
SAE 3/4" 6000 PSI



## R2

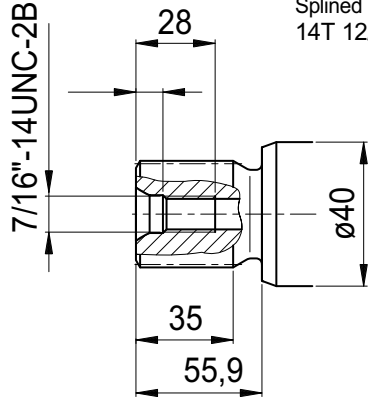
Rear threaded ports



## J1

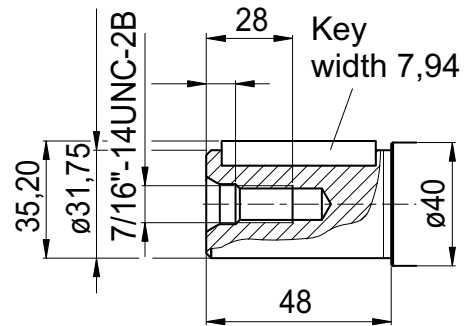
7/16"-14UNC-2B

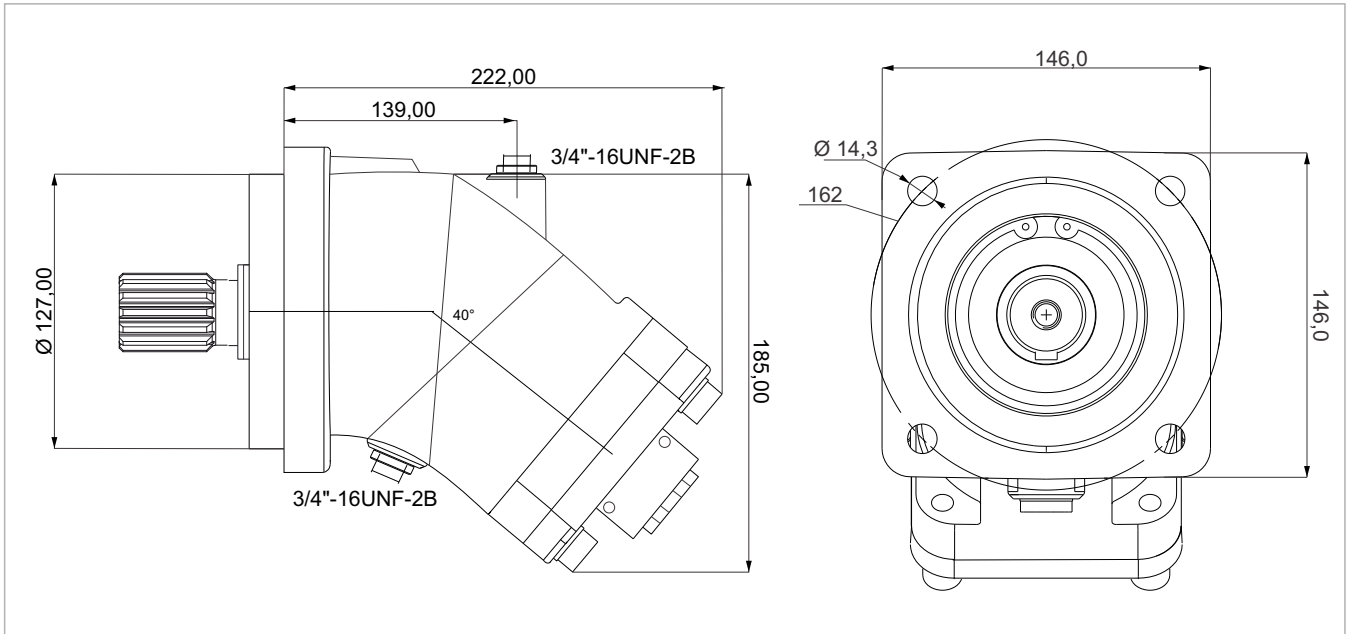
Splined shaft  
14T 12/24DP 1 1/4"



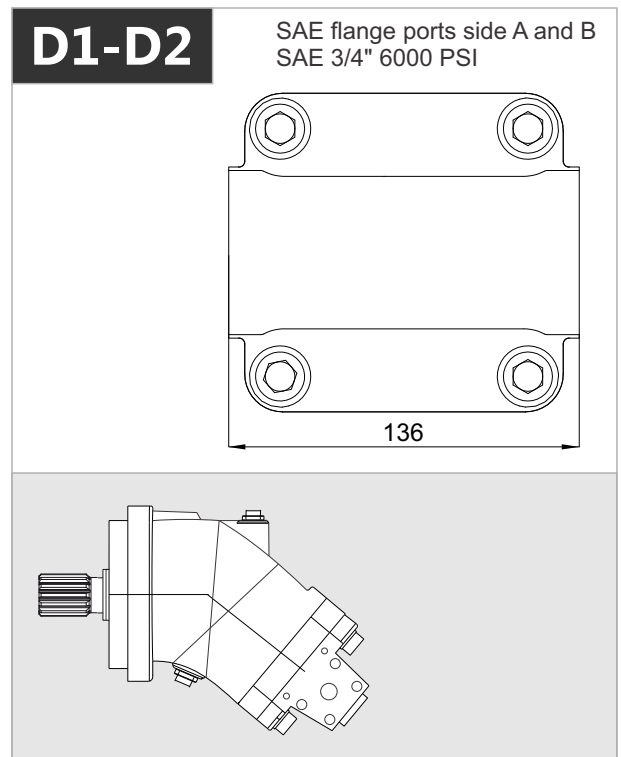
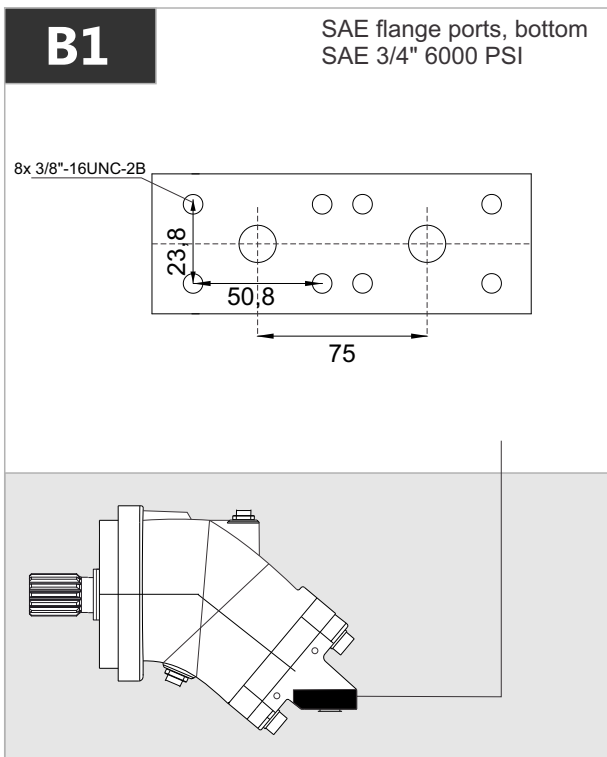
## J2

Cylindrical keyed shaft  
Ø 1 1/4"



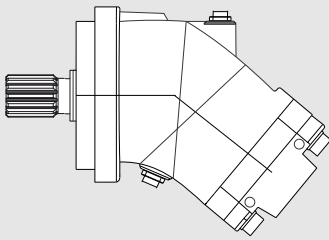
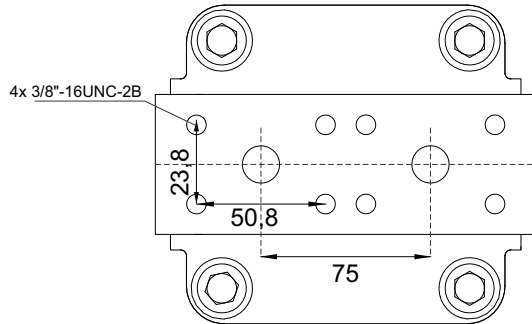


x 1000 rpm	x 1500 rpm	Max. Contin. Pump Speed	Max. Intermit. Pump Speed	Max. Contin. Pressure	Max. Peak Pressure	Torque bar	Torque at 350 bar	Max. Flow	Weight without accessor.	Weight with accessor.	Max. Motor Temp.	Min. Motor Temp.
63,00 cc	94,50 cc	5000 rpm	5500 rpm	400 bar	450 bar	1.00 m.N/bar	350 m.N	315	18,00 kg	18,50 kg	-25°	110°



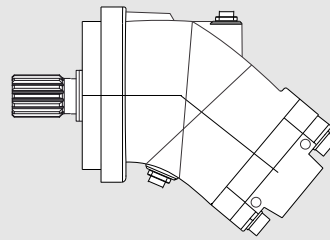
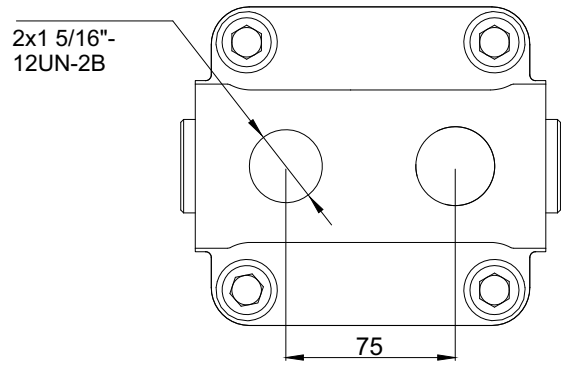
## R1

SAE flange ports rear  
SAE 3/4" 6000 PSI



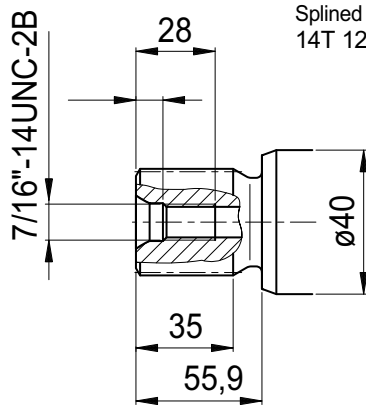
## R2

Rear threaded ports



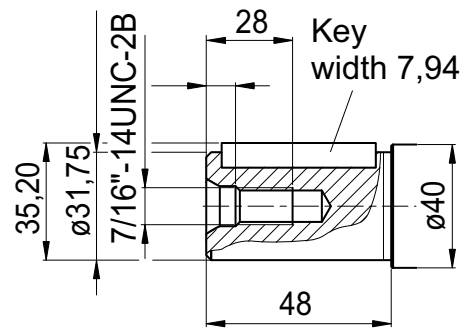
## J1

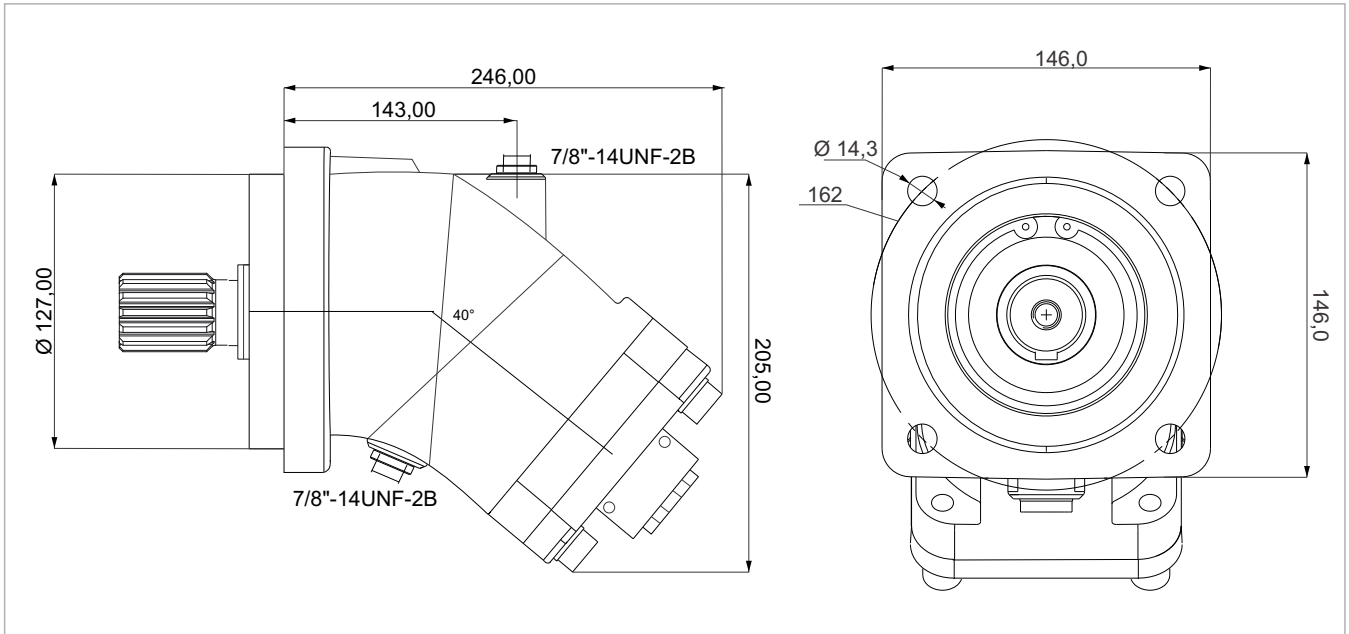
Splined shaft  
14T 12/24DP 1 1/4"



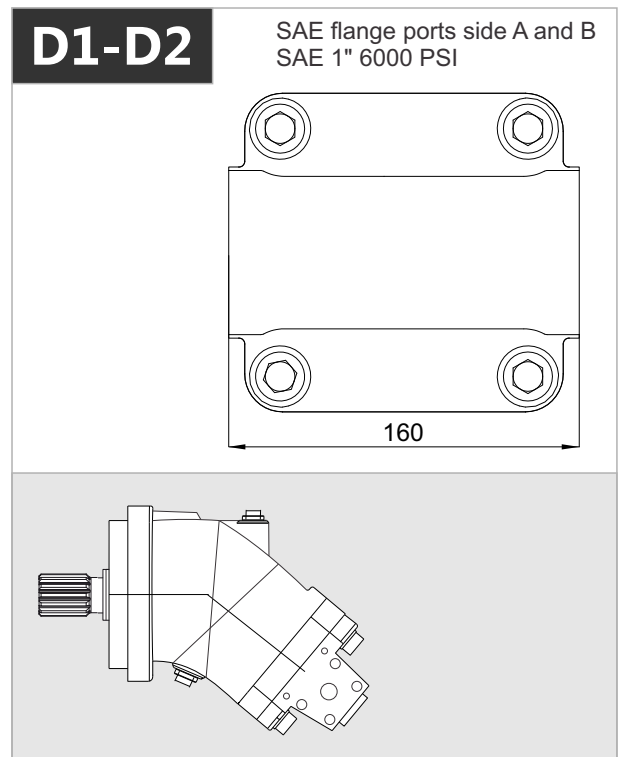
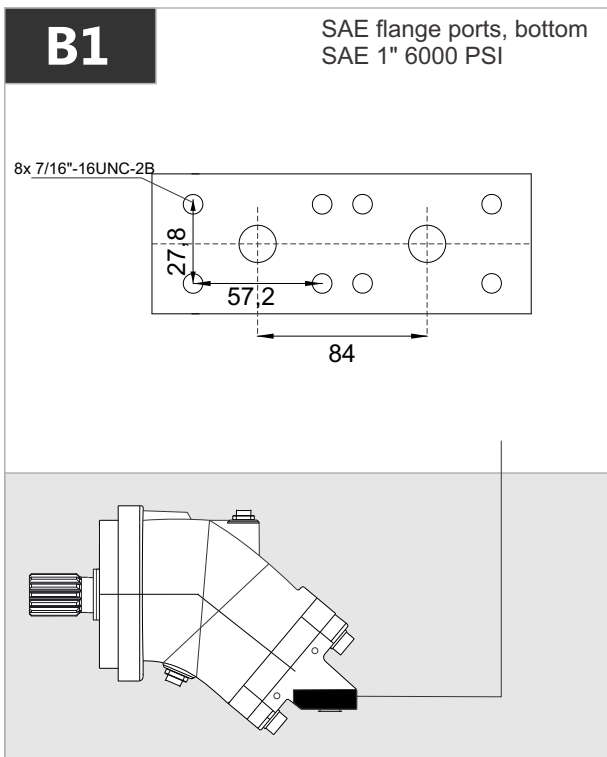
## J2

Cylindrical keyed shaft  
ø 1 1/4"



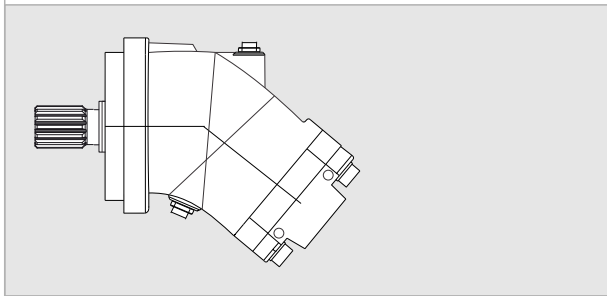
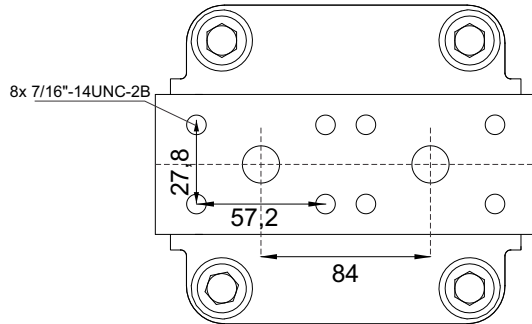


x 1000 rpm	x 1500 rpm	Max. Contin. Pump Speed	Max. Intermit. Pump Speed	Max. Contin. Pressure	Max. Peak Pressure	Torque bar	Torque at 350 bar	Max. Flow	Weight without accessor.	Weight with accessor.	Max. Motor Temp.	Min. Motor Temp.
80,00 cc	120,00 cc	4400 rpm	4900 rpm	400 bar	450 bar	1.28 m.N/bar	440 m.N	352	22,00 kg	22,50 kg	-25°	110°



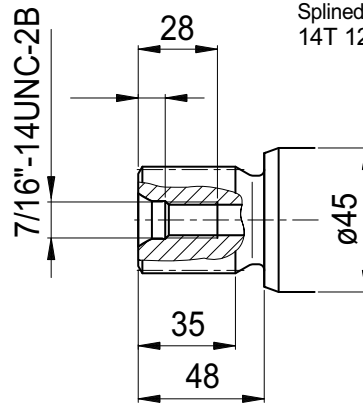
**R1**

SAE flange ports rear  
SAE 1" 6000 PSI



**J1**

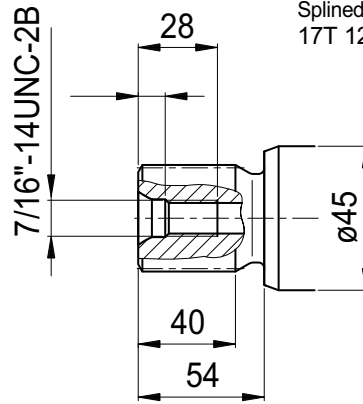
Splined shaft  
14T 12/24DP 1 1/4"



!! Special

**J1**

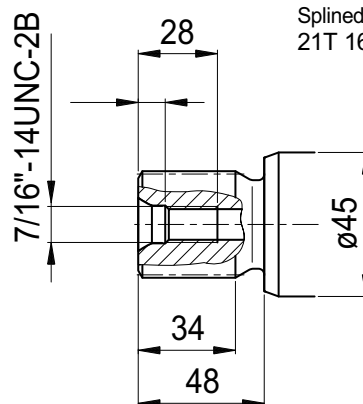
Splined shaft  
17T 12/24DP 1 1/2"



!! Special

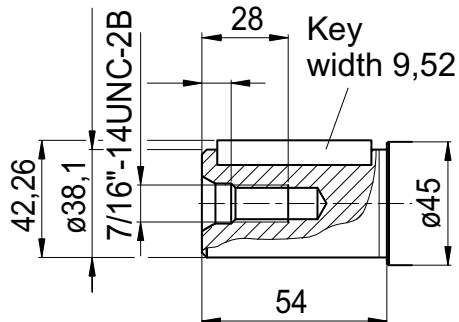
**J1**

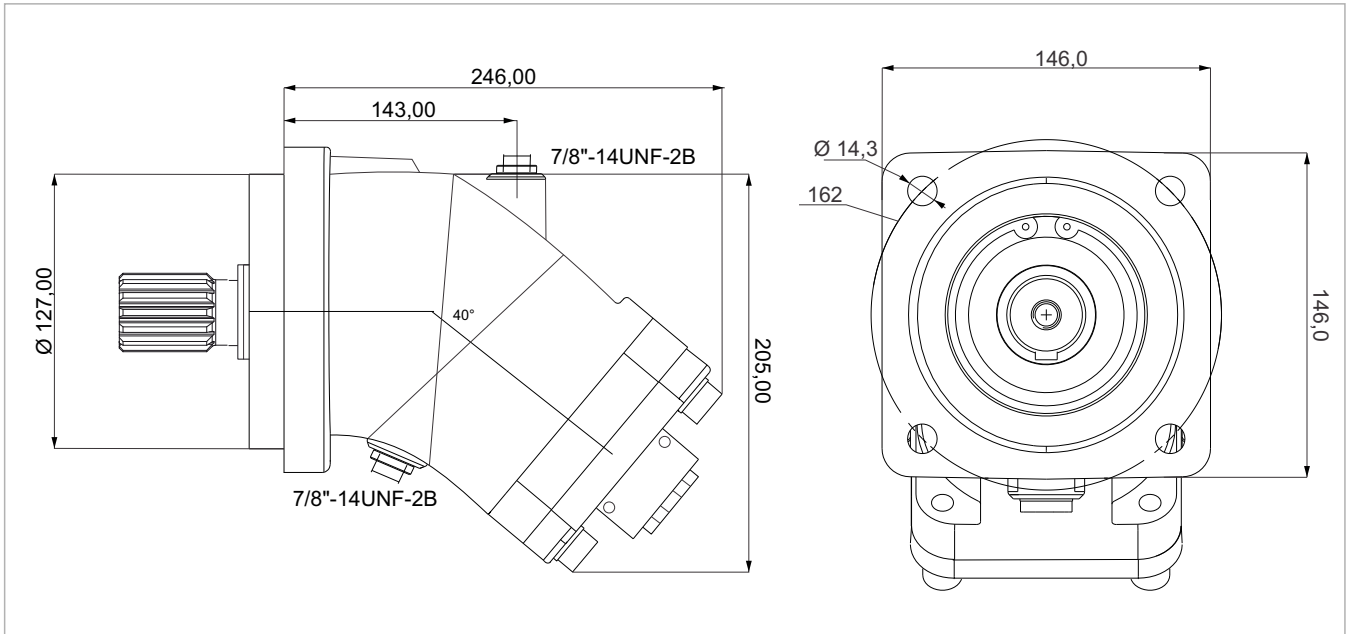
Splined shaft  
21T 16/32DP 1 3/8"



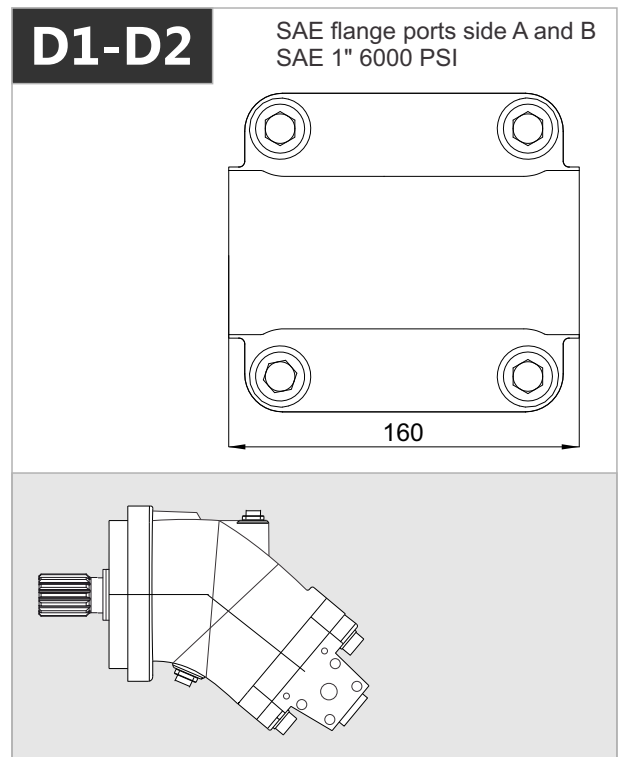
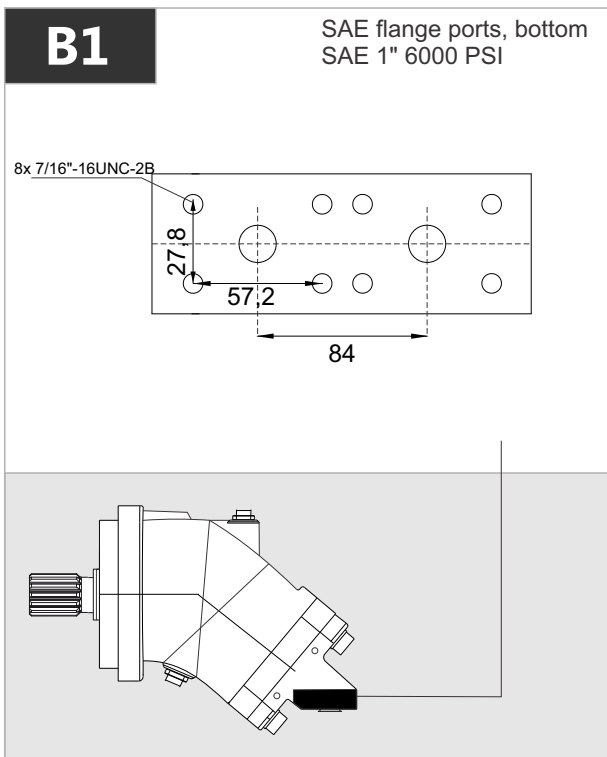
**J2**

Cylindrical keyed shaft  
Ø 1 1/2"





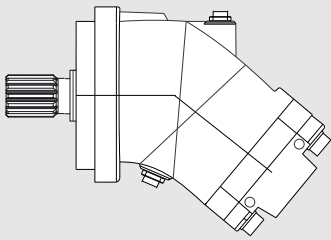
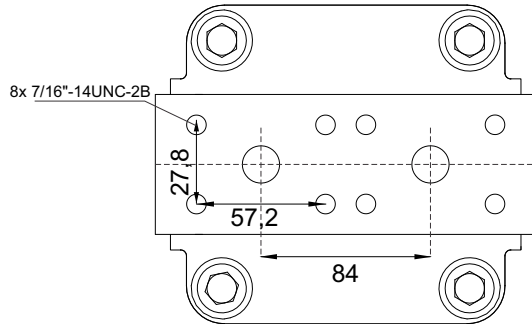
x 1000 rpm	x 1500 rpm	Max. Contin. Pump Speed	Max. Intermit. Pump Speed	Max. Contin. Pressure	Max. Peak Pressure	Torque bar	Torque at 350 bar	Max. Flow	Weight without accessor.	Weight with accessor.	Max. Motor Temp.	Min. Motor Temp.
108,4 cc	162,6 cc	4000 rpm	4400 rpm	400 bar	450 bar	1.69 m.N/bar	600 m.N	433	22,50 kg	23,00 kg	-25°	110°





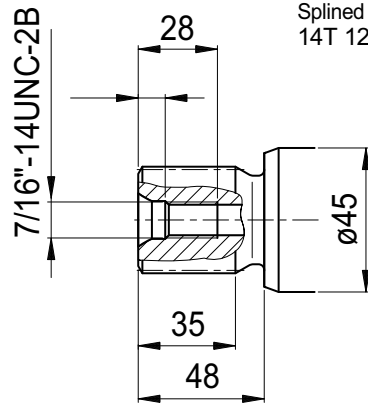
**R1**

SAE flange ports rear  
SAE 1" 6000 PSI



**J1**

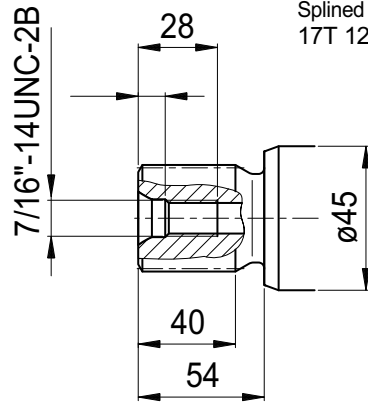
Splined shaft  
14T 12/24DP 1 1/4"



!! Special

**J1**

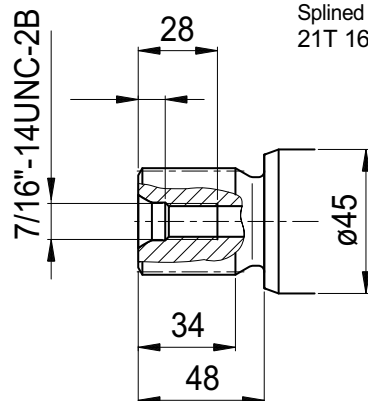
Splined shaft  
17T 12/24DP 1 1/2"



!! Special

**J1**

Splined shaft  
21T 16/32DP 1 3/8"



**J2**

Cylindrical keyed shaft  
Ø 1 1/2"

